

# SLZ02

- Wall Mounting Set (2 pieces)



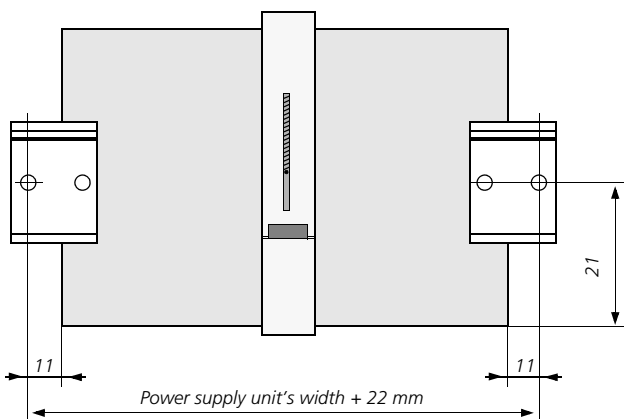
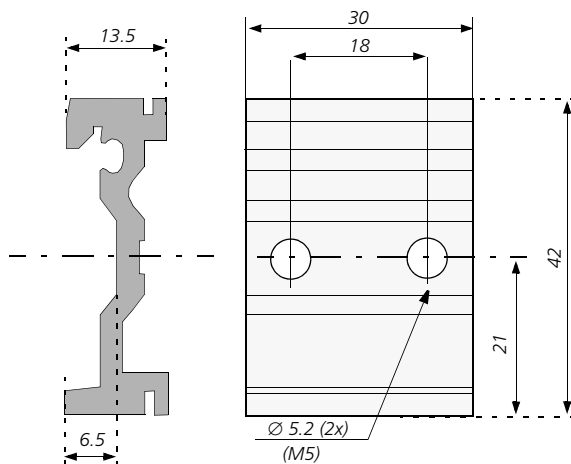
Data sheet

Instead of snapping a SilverLine unit onto the DIN-rail, you also can screw it on a surface by means of the wall mounting set SLZ02. This set consists of two aluminum profiles which replace the existing profiles at the back of the unit.

**Notes:**

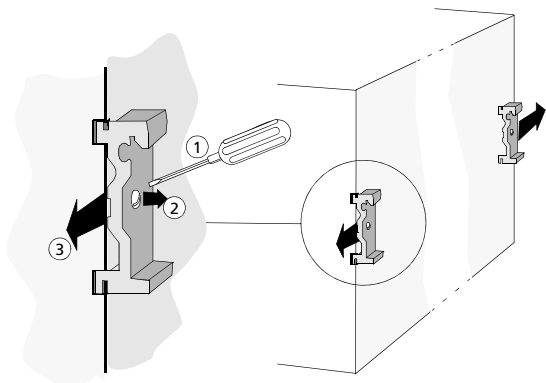
- Each power supply requires one SLZ02 and two mounting screws which are not included in the set (e. g. M5x12 or corresponding sheet-metal screws).

## Dimensions

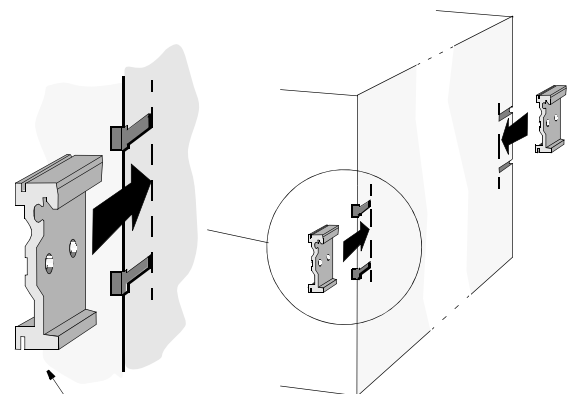


## Exchanging the Profiles

- a) At the unit: Remove the screw from the profiles. Pull the profiles outwards to remove.



- b) Push the SLZ02 profiles into the groove as far as possible and firmly screw them down.



Note the orientation:  
The profile fits into the groove only as shown here.

## Order information

Order number	Description
SLZ02	wall mounting set (contains 2 pcs.)

**Your partner in power supply:**



**PULS GmbH**  
Arabellastraße 15  
D-81925 München  
Tel.: +49 89 9278-0  
Fax: +49 89 9278-199  
[www.puls-power.com](http://www.puls-power.com)