

# Halogen Cycle Candelabra Double Contact Bayonet

## 22 SERIES

- HALOGEN CYCLE CANDELABRA DOUBLE CONTACT BAYONET LAMPHOLDERS
- NICKEL PLATED STEEL SHELL • NON-GROUNDED
- 6" WIRE LEADS • NICKEL PLATED BRASS CONTACTS
- MAXIMUM RATINGS: 500 WATTS, 125 VOLTS
- UL AND CSA RECOGNIZED • UL FILE E20356 • CSA FILE LR15284-10/-14

### Overview

The 22 Series lampholders are constructed with a nickel plated steel shell with nickel plated brass contacts mounted in an insulating disc. Lampholders are supplied with two 6" wire leads and are non-grounded. The mounting brackets and shell are grounded independent of contacts. The "J" slot orientation is random unless otherwise specified. Many bracket and mounting options are available including a 15/16" mounting hole plug button and a threaded bushing for 13/32" mounting hole. Lampholders are designed for use with halogen cycle, candelabra bayonet lamps.

### Specifications

**Shell:** nickel plated steel.

**Center contacts:** nickel plated brass supplied with ceramic insulating disc.

**Spring:** stainless steel.

**Wire leads:**

**6" Leads:** #18 AWG, white, UL3135, nickel plated copper, braidless, silicone rubber insulation, UL/CSA rated 200°C, stripped 1/2". Non-grounded units are supplied with two 6" wire leads. Custom wire lengths, stripping, termination and wire types are also available.

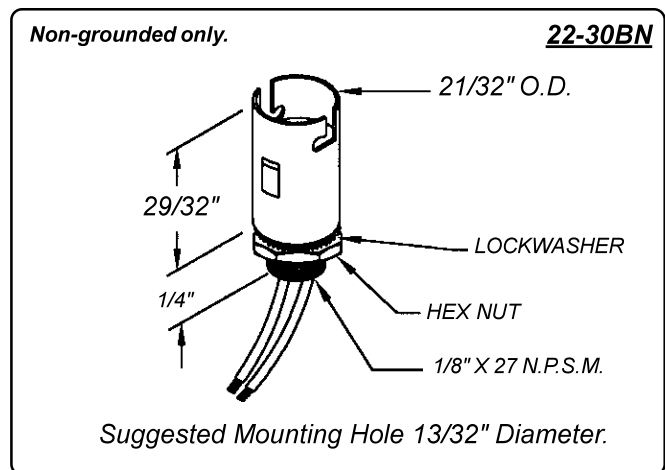
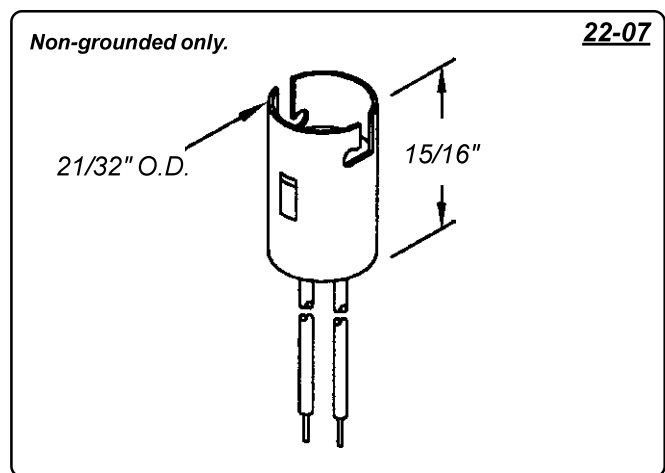
**Mounting:**

**Brackets:** 0.025" to 0.032" nickel plated steel. Custom brackets and plating types are available.

**Plug button:** zinc plated steel for 15/16" mounting hole.

**Threaded bushing:** for 13/32" diameter mounting hole. Supplied with lockwasher and hex nut.

**Maximum rating:** 500 Watts, 125 Volts.



**Can't find it here? We have many more standard and custom solutions**

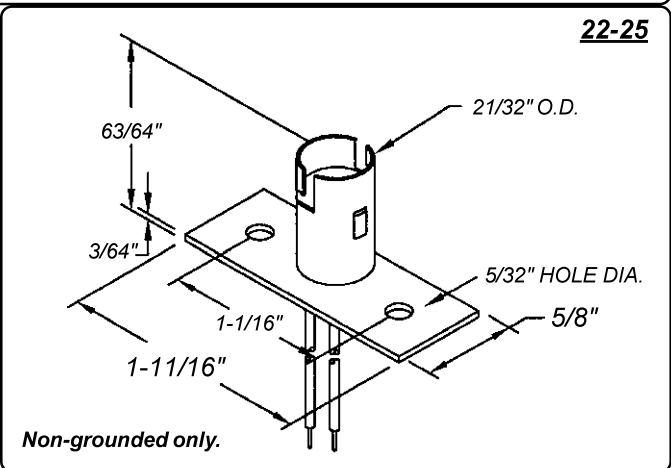
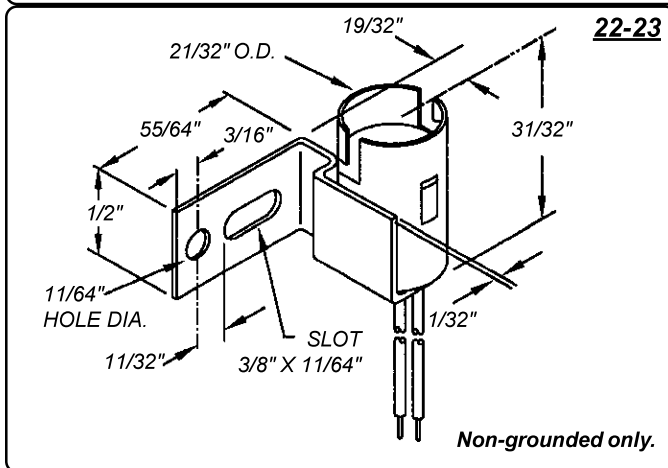
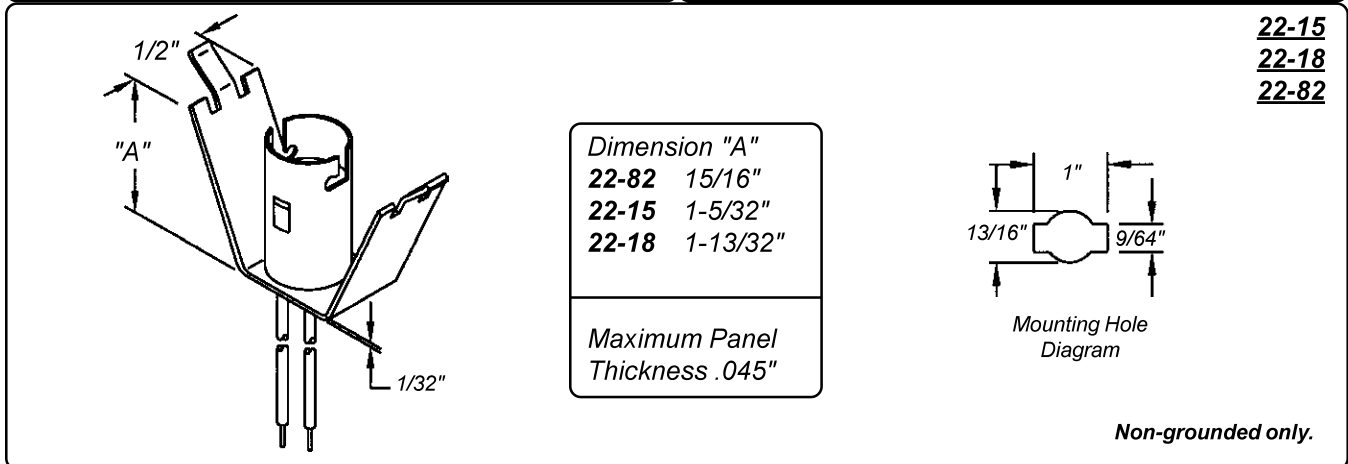
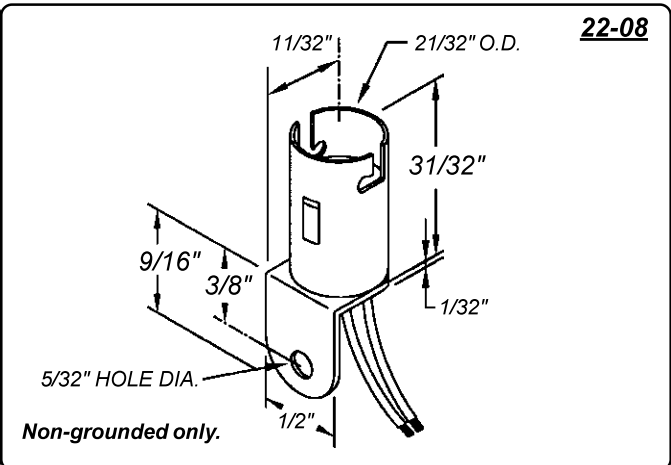
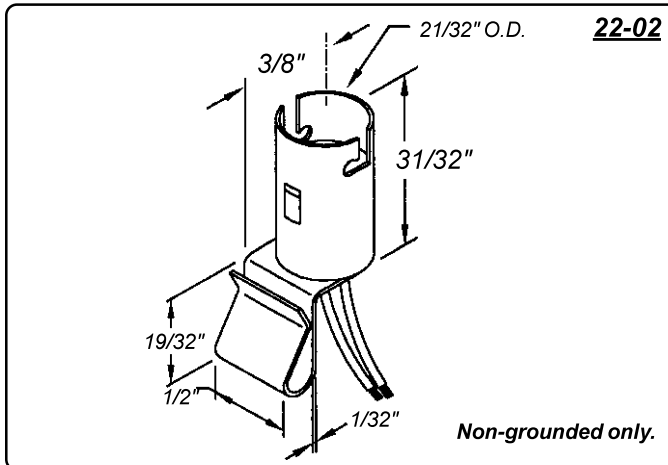
For further information, phone Customer Service at 800.522.5546.

# Halogen Cycle Candelabra Double Contact Bayonet

## 22 SERIES

UL & CSA Recognized • Non-Grounded  
Maximum Rating: 500 Watts, 125 Volts

Nickel Plated Steel Shell  
Nickel Plated Brass Contacts  
6" Wire Leads

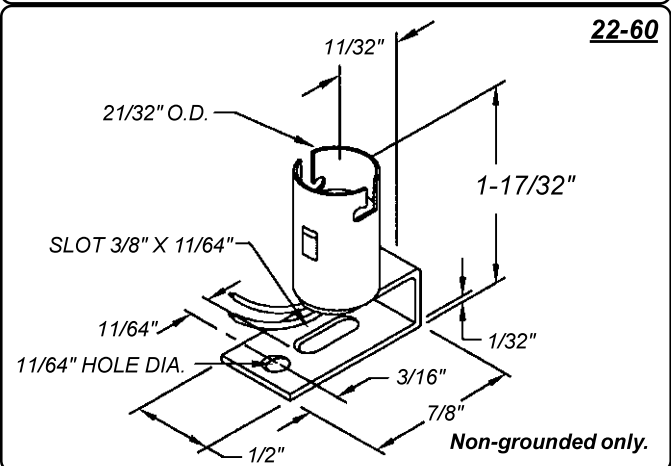
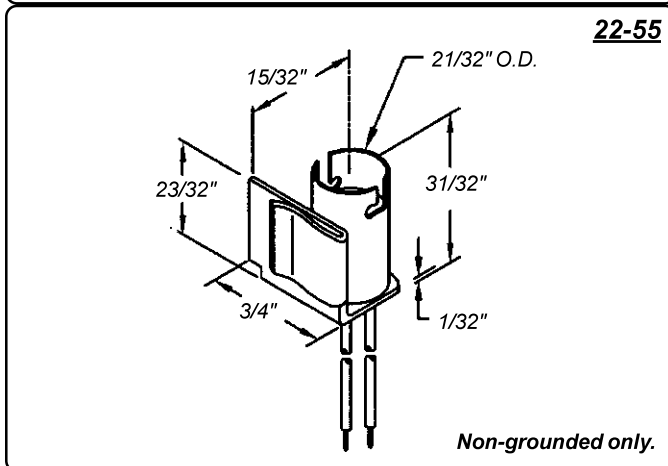
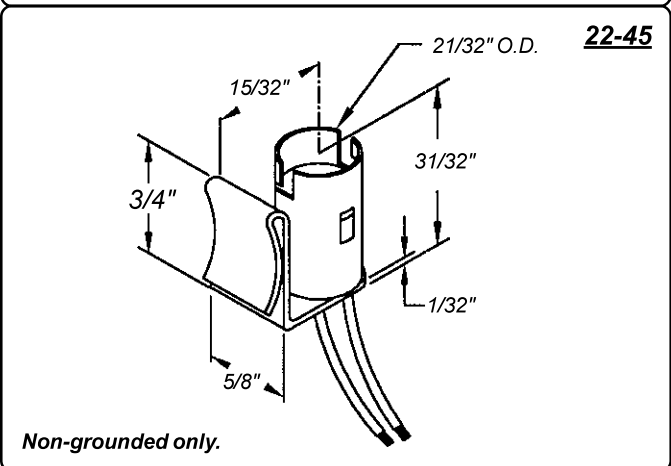
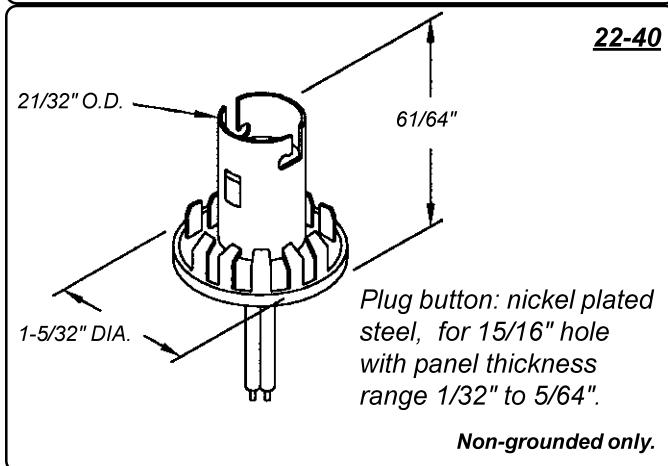
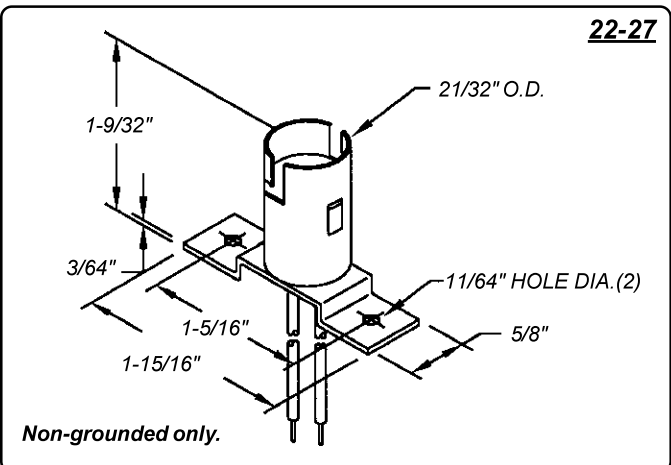
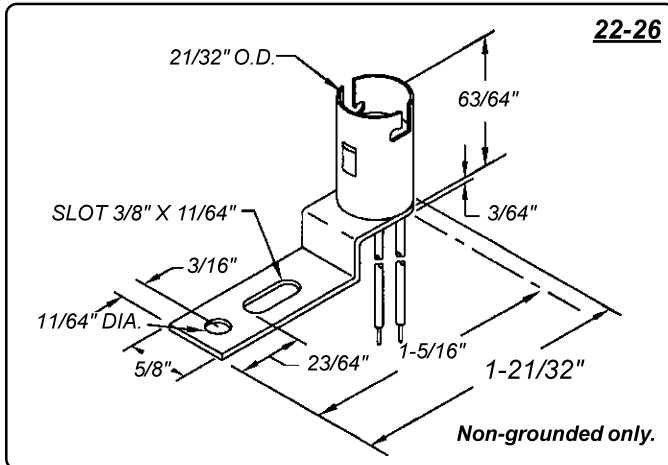


# Halogen Cycle Candelabra Double Contact Bayonet

## 22 SERIES

UL & CSA Recognized • Non-Grounded  
Maximum Rating: 500 Watts, 125 Volts

Nickel Plated Steel Shell  
Nickel Plated Brass Contacts  
6" Wire Leads

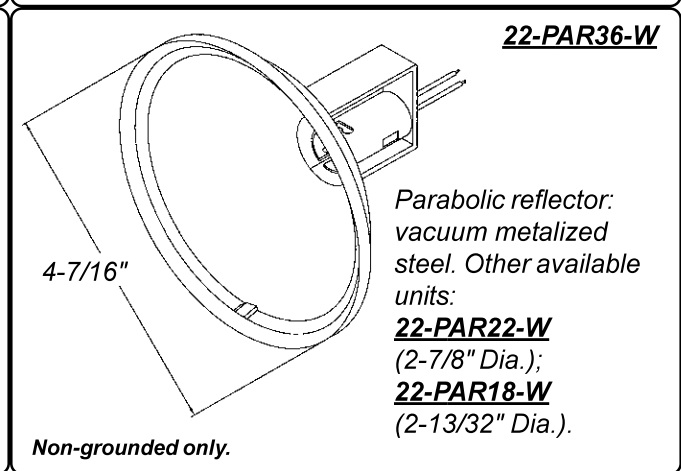
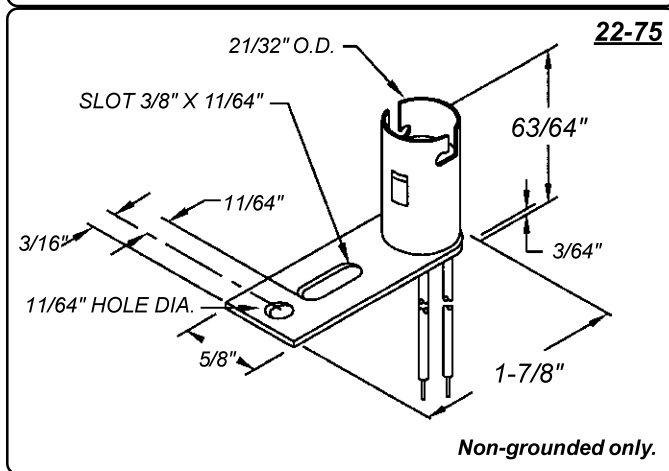
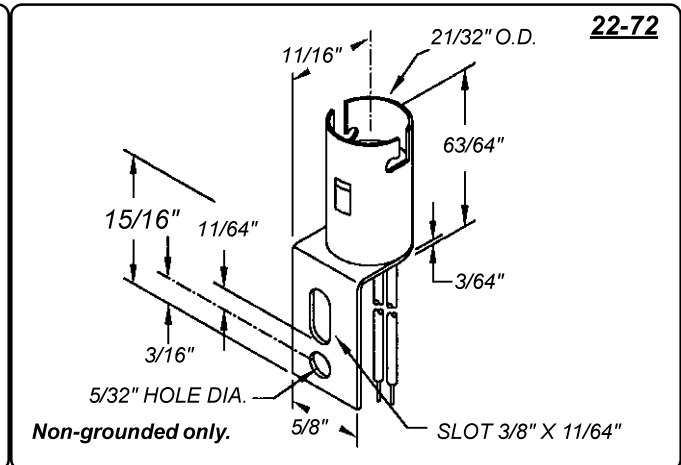
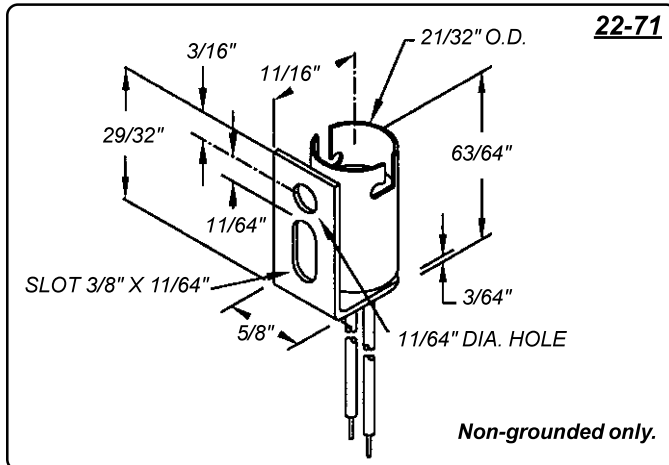


# Halogen Cycle Candelabra Double Contact Bayonet

## 22 SERIES

UL & CSA Recognized • Non-Grounded  
Maximum Rating: 500 Watts, 125 Volts

Nickel Plated Steel Shell  
Nickel Plated Brass Contacts  
6" Wire Leads



### Can't find it here? We have many more standard and custom solutions

The items in this product sheets are only a small representative sample of the complete VCC product line. We manufacture many additional products which are not shown in this product sheet due to space constraints.

Custom products can also be designed uniquely for you by our Technical Support Professionals. Starting from your ideas and specifications, we work with your personnel to develop timely and cost effective solutions for your miniature lighting needs.

VCC Technical Support Services are provided without charge and may include designs, prototypes and pre-production samples.

For further information, phone Customer Service at 800.522.5546.