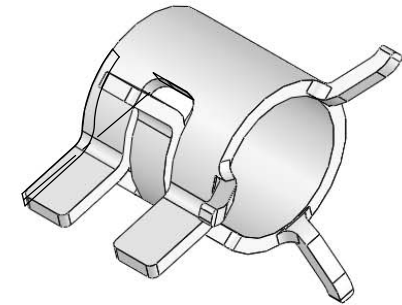
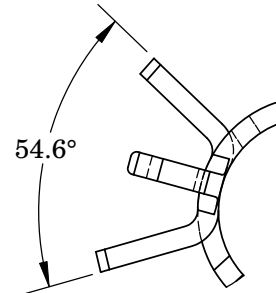
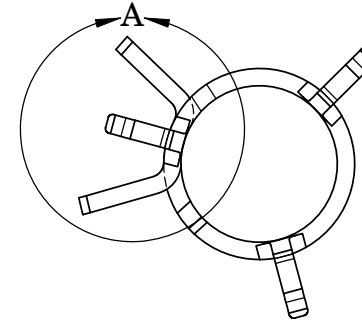
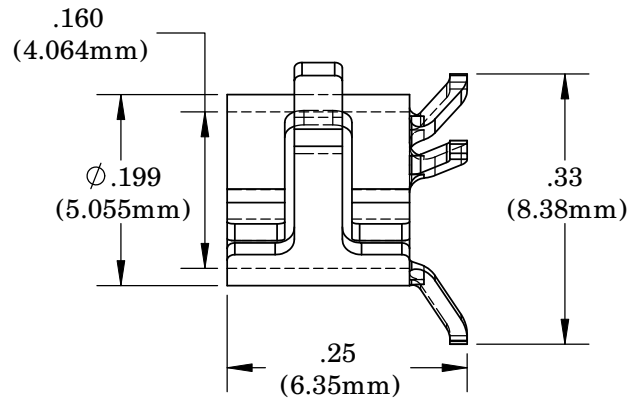


**NOTES**

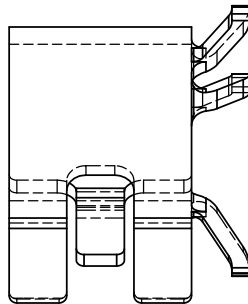
- 1) FINISH: Nickel Plate
- 2) U.S. & Foreign Pat. Issued & Pend.

REVISIONS				
ECN #	REV	DESCRIPTION	DATE	INITIALS
	N/A	INITIAL RELEASE	2/17/99	JS
	A	CHANGE R.005 TO R.015;P/N WAS CLV NOW RTN	5/00	JS
	B	CHANGE $\phi$ .090 TO $\phi$ .070	6/28/02	JS
	001	REVISED PER ECR111009AZ01	2/16/10	KH



**DETAIL A  
SCALE 6 : 1**

**ISOMETRIC VIEW**



<small>UNLESS OTHERWISE SPECIFIED DIMENSIONS ARE IN INCHES:                  ANGLES DECIMALS                  ± 1' .X ±.020                  .XX ±.010                  FINISH .XXX ±.005                  BREAK ALL CORNERS AND SHARP EDGES .050 MAX</small>		MATERIAL		<b>VISUAL COMMUNICATIONS COMPANY</b> 190 Bosstick Boulevard, Suite 101 San Marcos, CA 92069 USA Phone (760) 560-1300 Fax (760) 560-1301 email vccsales@vccite.com		
		SPRING STEEL (C1050)				
<small>THIRD ANGLE PROJECTION</small>		FINISH		TITLE:  <h2 style="text-align: center;">RTN 250</h2>		
		SEE NOTES				
<small>PROPRIETARY AND CONFIDENTIAL                  THE INFORMATION CONTAINED IN THIS DRAWING IS THE SOLE PROPERTY OF VISUAL COMMUNICATIONS COMPANY, INC. ANY REPRODUCTION IN PART OR AS A WHOLE WITHOUT THE WRITTEN PERMISSION OF VISUAL COMMUNICATIONS COMPANY, INC IS PROHIBITED.</small>		APPROVALS	DATE	SIZE	DWG. NO.	REV
		DRAWN K.Howard	2/16/10	<b>A</b>	RTN 250	001
		CHECKED DPZ	2/22/10	SCALE: 5:1		SHEET 1 OF 1
		DO NOT SCALE DRAWING				