

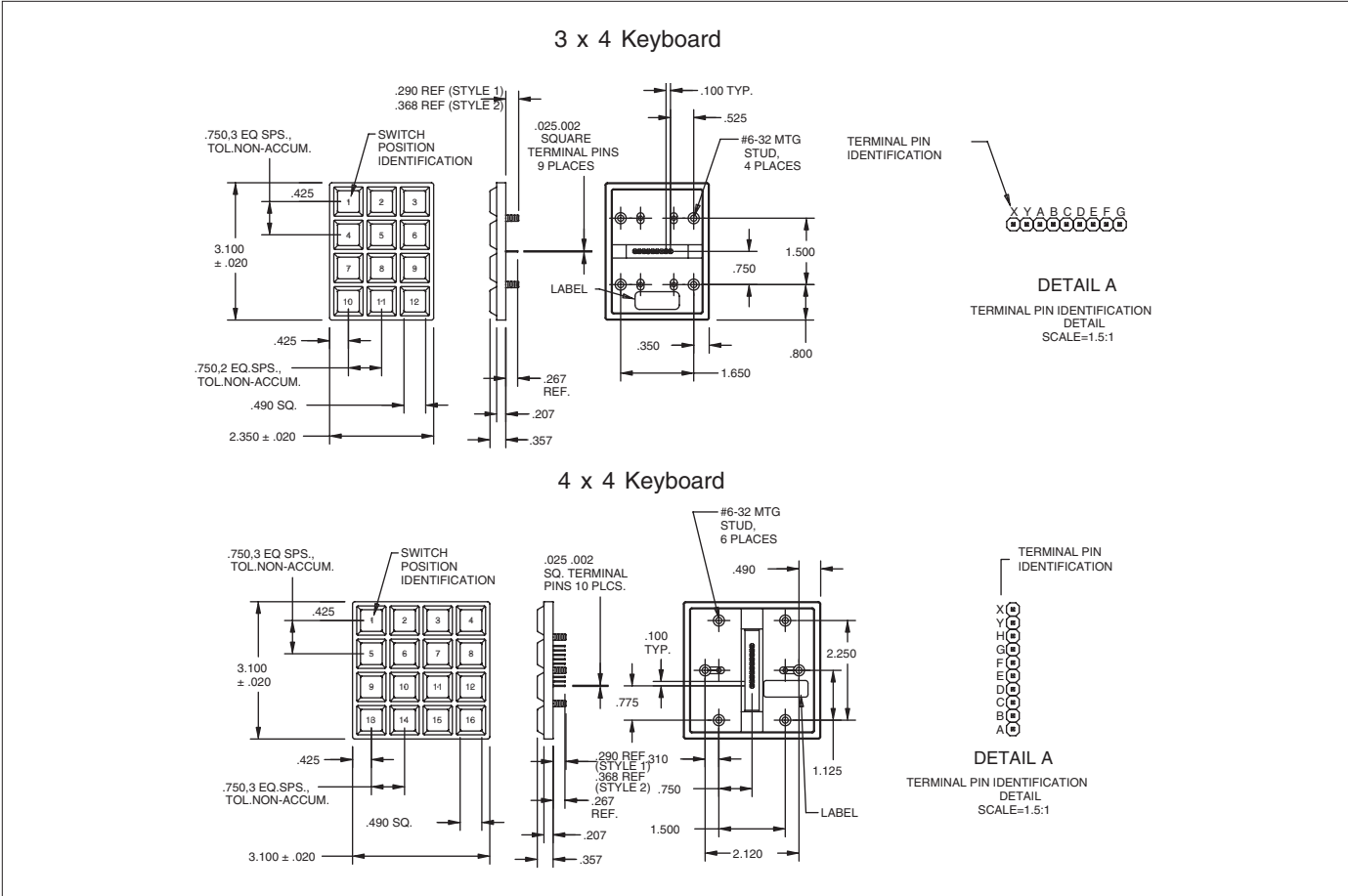
### SERIES 84BL Standard Backlit

#### FEATURES

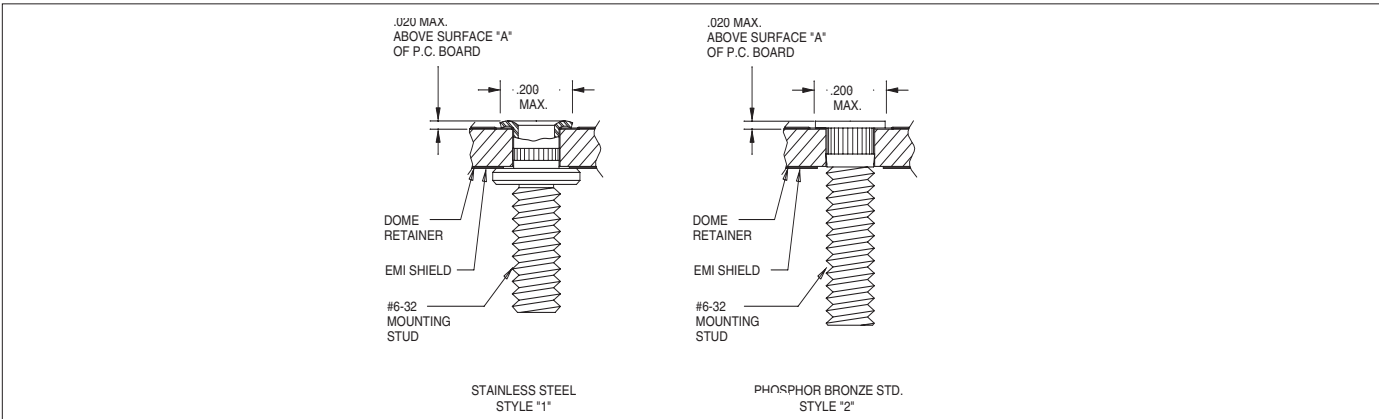
- Backlit for Low Light Applications
- Waterproof Silicone Rubber
- Audible, Tactile Contacts
- Low Contact Resistance
- Optional RF/EMI Shielding
- 3,000,000 Operations per Button



#### DIMENSIONS In inches (and millimeters)



#### Stud Detail



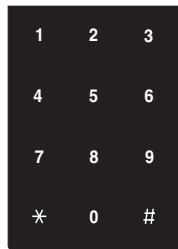
Keyboards and Keypads

**SCHEMATIC AND TRUTH TABLE**

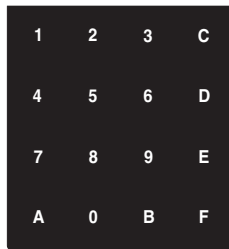
LED Color	Forward Voltage			Resistor (OHMS)	Typ. Current Consumption (With 5V Pwr. Supply)	
	Min.	Typ.	Max.		3 x 4	4 x 4
Red	-	1.95	2.40	43	155mA	205mA
Yellow	-	1.95	2.40	43	155mA	205mA
Green	1.50	-	2.40	43	155mA	205mA
Orange	-	1.95	2.40	43	155mA	205mA

**STANDARD LEGENDS**

Available through Grayhill Distributors To order one of the configurations below, use the dash number shown here; select the keypad size and order the part number with the appropriate legend dash number. Contact Grayhill for Customs.



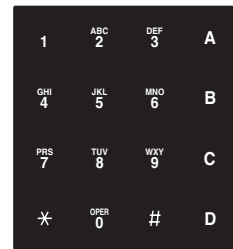
-112



-014



-113



-016

**SPECIFICATIONS**

**Rating Criteria**

**Rating at 24 Vdc:** - 10 milliamps resistive  
**Contact Bounce:** 4 milliseconds maximum at make; 10 milliseconds, at break  
**Contact Resistance:** 10 ohms maximum

**Life Expectancy:** 3 million operations/button  
**Insulation Resistance:** •1,000 megohms

**Operating Features**  
**Pre-Travel:** .030 inches minimum  
**Operating Force:** 20 ± 4 ounces  
**Humidity:** 0 to 98% (no condensation)

**Materials and Finishes**

**Terminal Pins:** Copper alloy CDA 725  
**PC Board:** FR-4 glass cloth epoxy  
**Dome Retainer/Rear Seal Sheet:** Polyester  
**Mounting Studs:** Style 1: Stainless steel, Style 2: Phosphor bronze  
**Optional Hex Nut:** Stainless steel, passivated  
**Optional EMI Shield:** Aluminum foil  
**Keypad:** Silicone rubber

**ORDERING INFORMATION**

84BL = Printed Legend, Sealed and Shielded  
 84BLN = Printed Legend, Sealed and Non-Shielded  
**Keyboard Size:** A = 3 x 4, B = 4 x 4  
 B = Matrix Code  
 1 = Style "1" Terminal Pin Header (see stud detail), 2 = Style "2" Terminal Pin Header (see stud detail)

N = Mounting Nuts Supplied and Shipped Loose, Blank = No Nuts Supplied  
**Led Color:** A = Red, B = Yellow, C = Green, D = Orange  
**Standard Legends:** -112 or -113 for 3x4, -014 or -016 for 4x4