

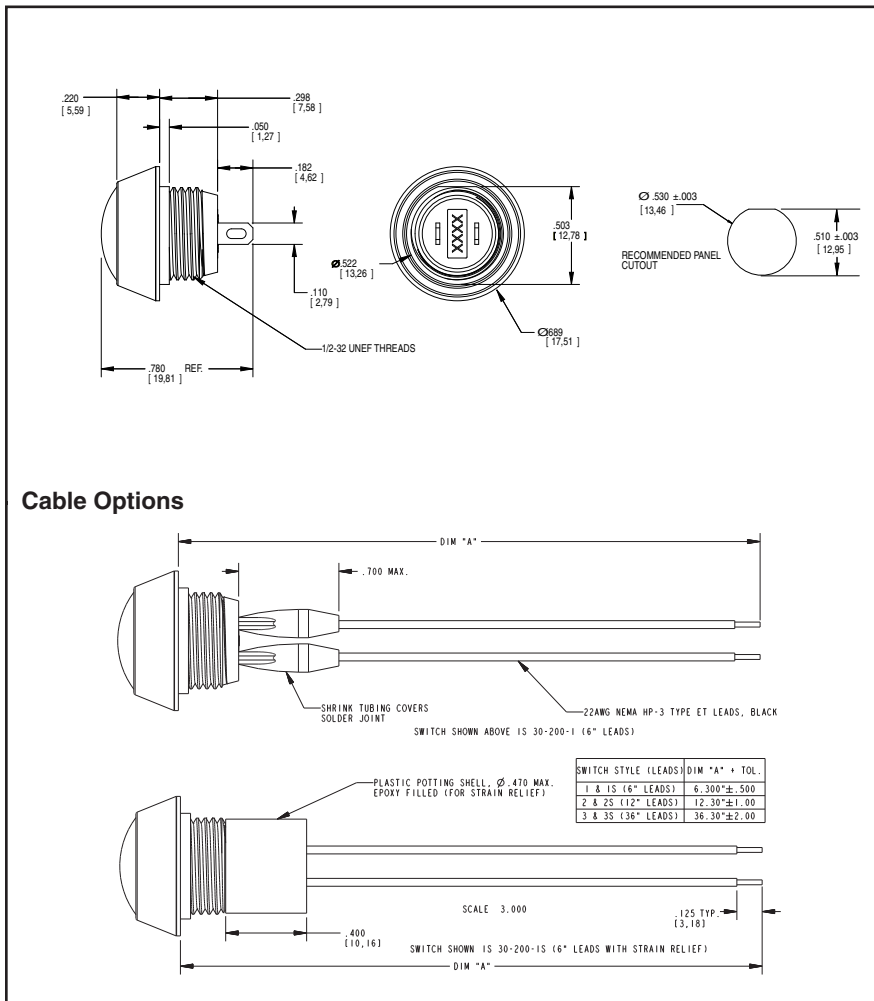
SERIES 30 Sealed, Front Panel Mounting

FEATURES

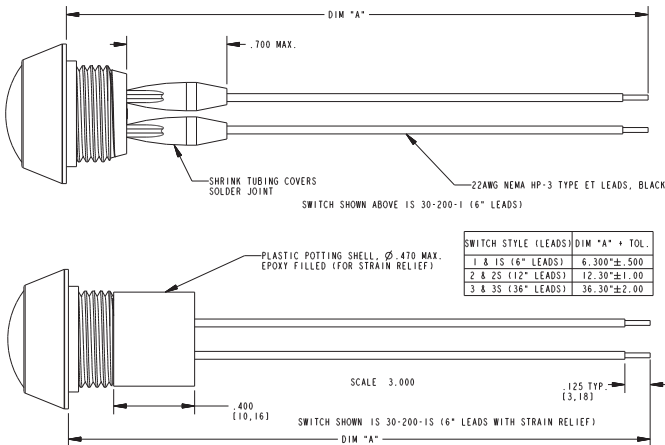
- Threaded bushing
- Choice of 6 button colors
- SPST (momentary contact)
- Gold plated contacts
- Strong, lightweight aluminum housing
- Sealed against dust and moisture to IP67 (to IP67 with silicone boot*)



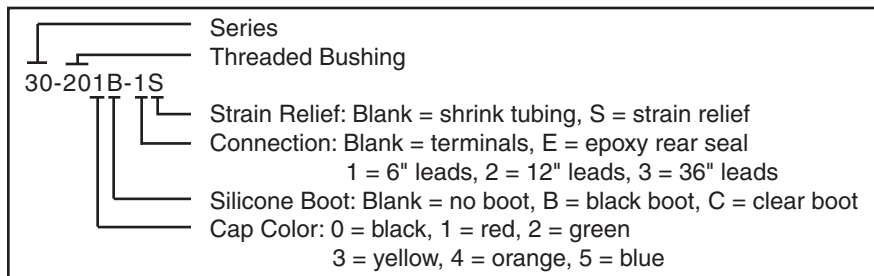
DIMENSIONS in inches (and millimeters)



Cable Options



ORDERING INFORMATION



RATING

- Cycles:** 500,000 actuations
- Operating Temperature:** -40°C to +80°C
- Shock:** 100 G's/6 milliseconds
- Travel:** .090 nominal
- Travel Before Make:** .035 nominal
- Rating at 24 VDC:** 150 milliamps
- Voltage Breakdown:** 1000 Vac
- Contact Resistance:** 25 Megaohms max (initial)
- Insulation Resistance:** 1,000 Megaohms minimum

MATERIAL

- Housing:** Aluminum, black chrome finish
- Button, Base, and Plunger:** Nylon, 45% glass-filled
- Terminal:** Brass, gold-plated over nickel
- Shorting Bar:** Brass, gold-plated over nickel
- Internal Seal:** Silicone rubber
- O-ring panel Seal:** Silicone
- Spring:** Tinned music wire
- Hex Nut:** 1/2-32, Brass with Nickel Plating, P/N 635201
- Lockwasher:** Internal, 1/2 dia. , Steel with Zinc plating, P/N 635401

* Switch meets IP67 without boot if not actuated during immersion

CIRCUITRY: SPST N.O.

