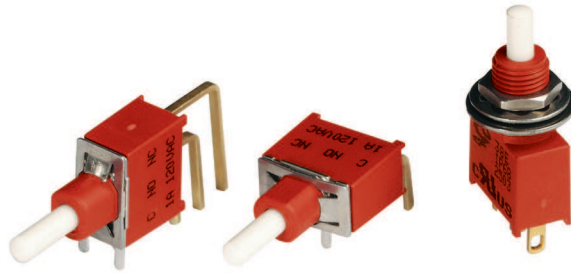


### SERIES 38E

### Sealed Snap Action Miniature Pushbutton Switches

#### FEATURES

- SPDT and DPDT Circuitry
- Choice of Bushings, and Terminations
- UL Recognized
- IP-68 Degree of Protection
- RoHS Compliant



#### MODELS IN INCHES (AND MILLIMETERS)

#### SPDT

MODEL NO.	SWITCH POSITION	
WSP7	ON	(ON)
TERM. COMM.	1-3	1-2

( )=MOMENTARY

#### DPDT

MODEL NO.	SWITCH POSITION	
WDP7	ON	(ON)
TERM. COMM.	1-3, 4-6	1-2, 4-5

( )=MOMENTARY

#### PLUNGER OPTIONS IN INCHES (AND MILLIMETERS)

OPTION CODE	DIM. "A"
1	.173(4.40)
2	.220(5.60)
3	.087(2.20)

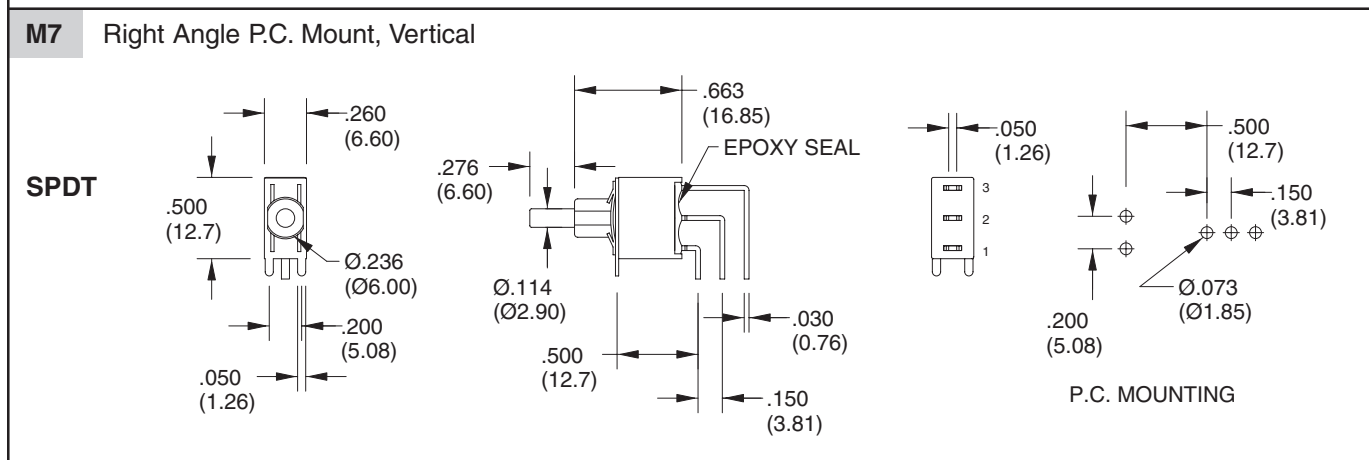
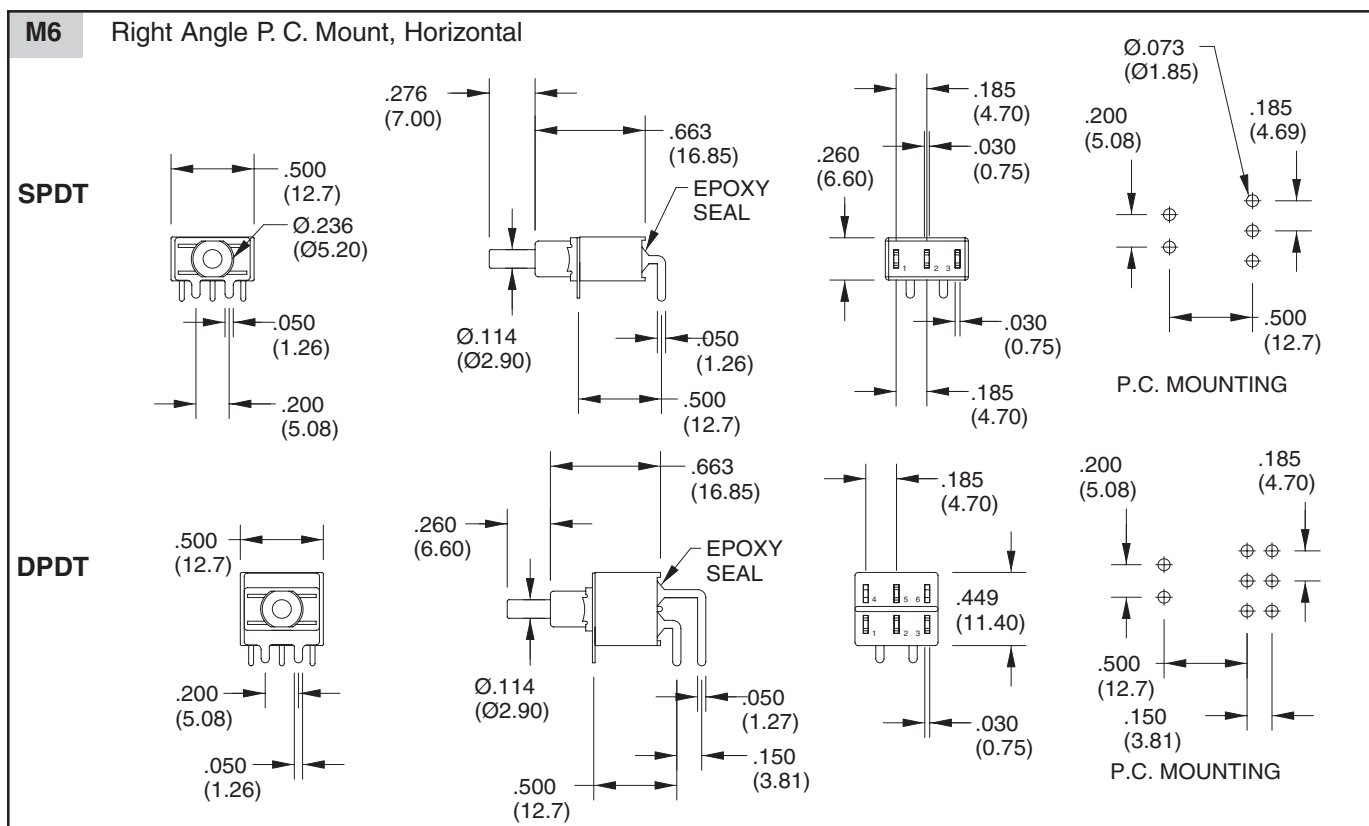
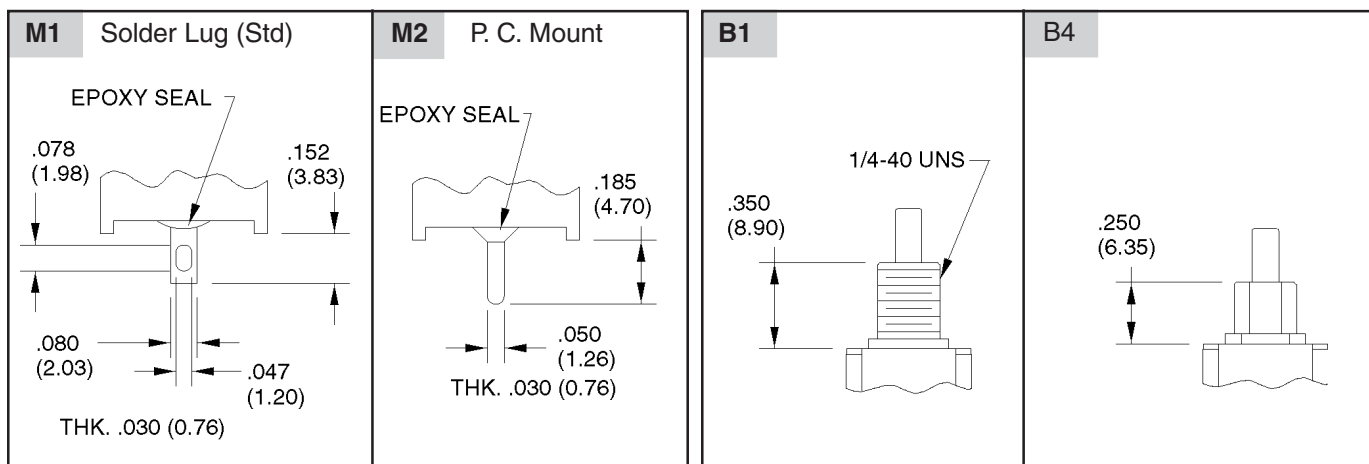
**FOR B1 BUSHING**

OPTION CODE	DIM. "A"
1	.276(7.00)
2	.327(8.30)
3	.193(4.90)

**FOR B4 BUSHING**

**BUSHING OPTIONS** IN INCHES (AND MILLIMETERS)

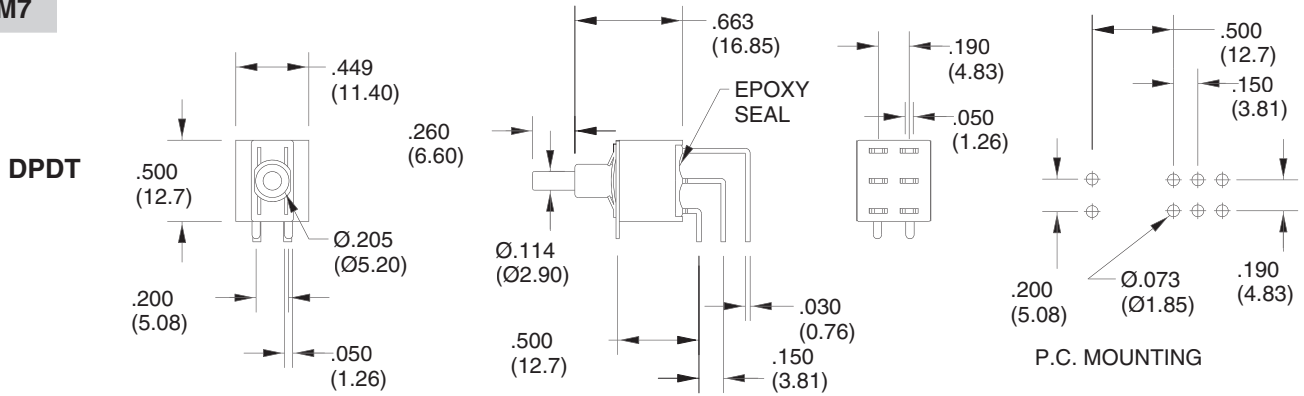
**TERMINATION OPTIONS** IN INCHES (AND MILLIMETERS)



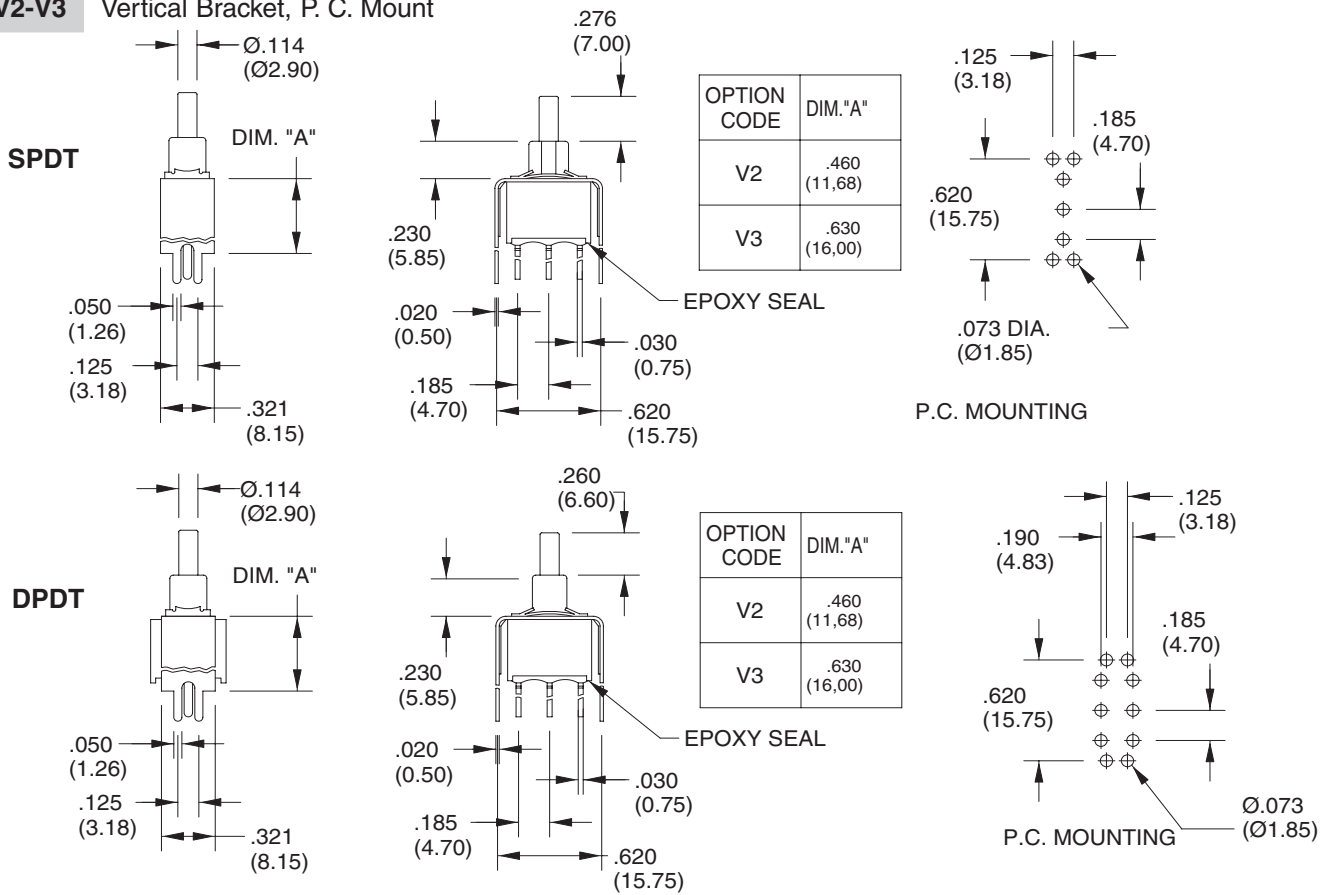
Pushbutton Switches

TERMINATION OPTIONS (CONT.) IN INCHES (AND MILLIMETERS)

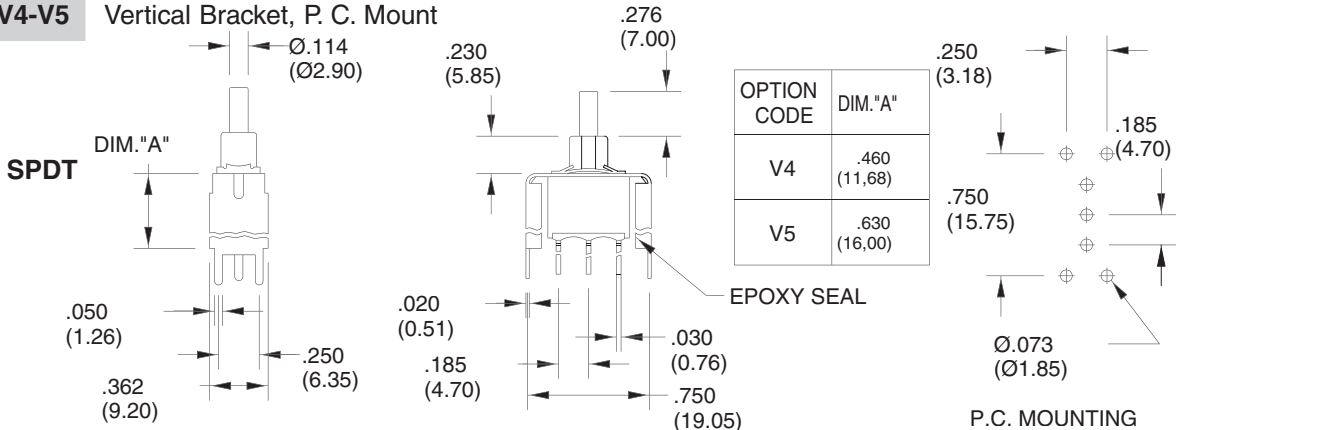
M7



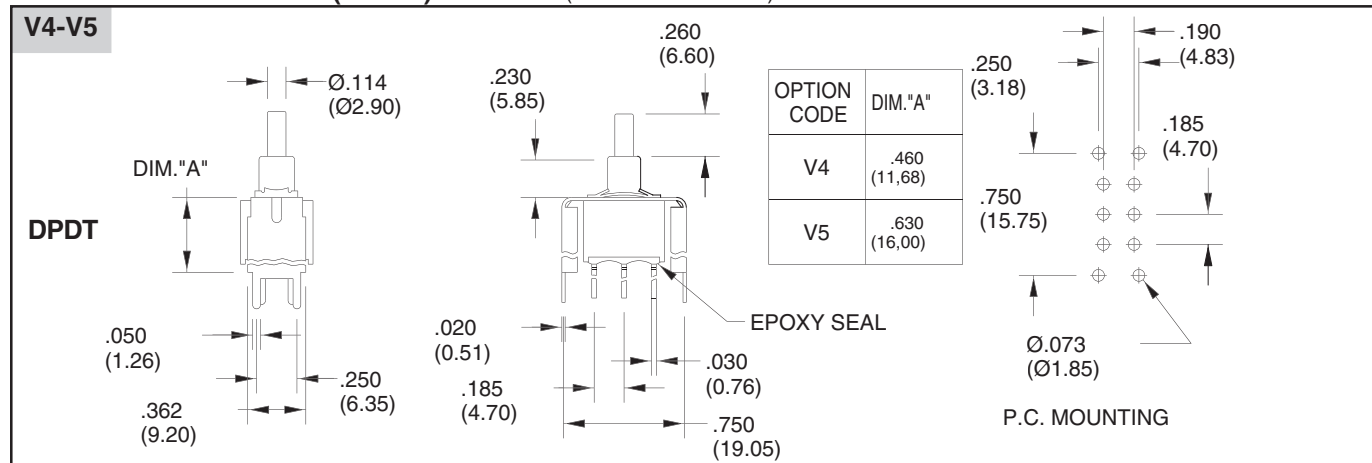
V2-V3 Vertical Bracket, P. C. Mount



V4-V5 Vertical Bracket, P. C. Mount

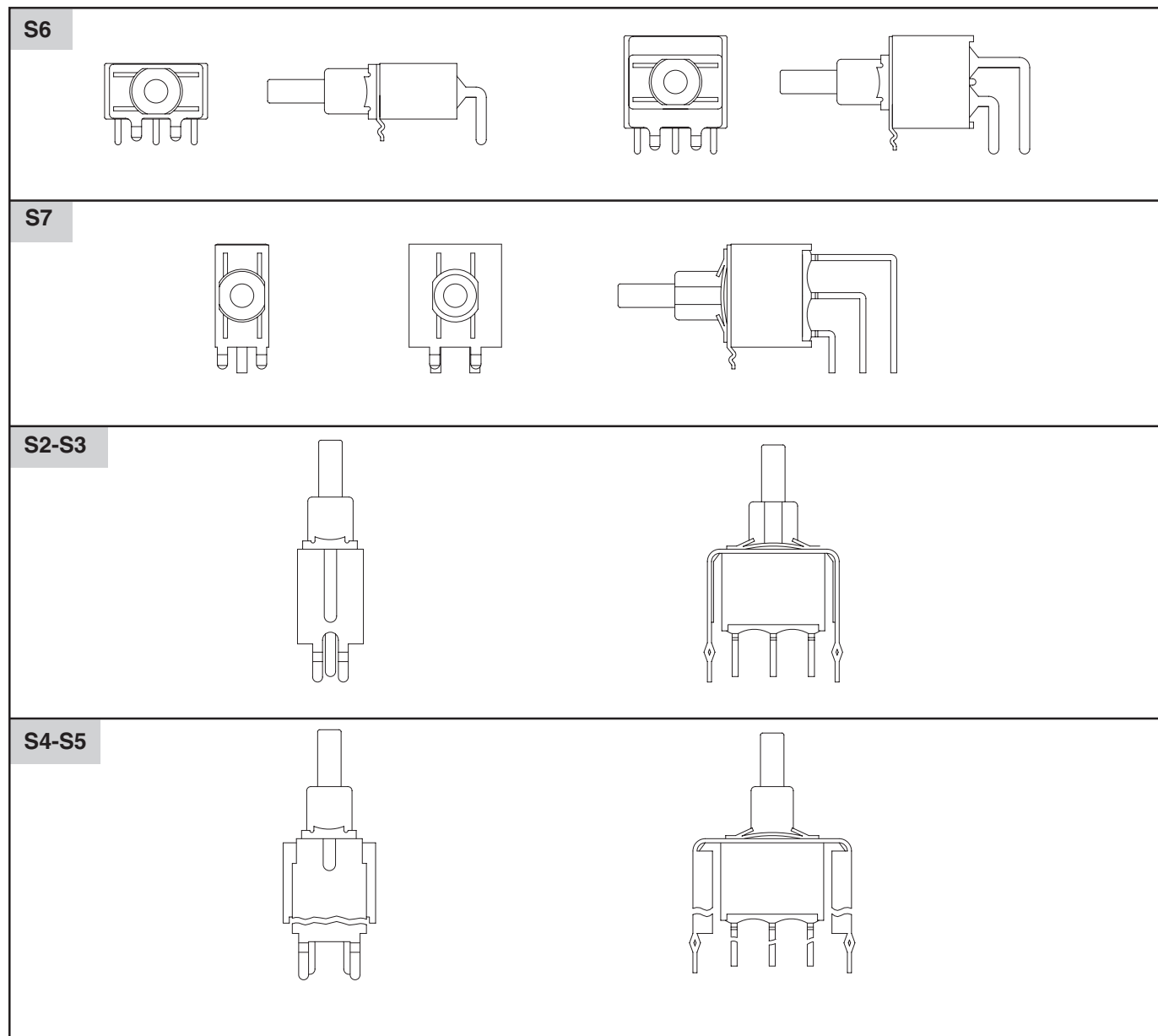


**TERMINATION OPTIONS (CONT.)** IN INCHES (AND MILLIMETERS)



**Snap-in Termination Options**

(Snap-in termination options have the same PC layout as M2, M6 and M7 options)



Pushbutton Switches

**SPECIFICATIONS**

**RATINGS**

**Contact Rating:** Q & G option - 1A with resistive load @ 125 VAC or 28 VDC.  
 R option - 0.4 VA max @ 20 Vmax (AC or DC)  
**Electrical Life:** 50,000 make-and-break cycles at full load  
**Travel:** .040 ± .010

**Contact Resistance:** 10 milliohms max. initial @ 2-4 VDC, 100 mA  
**Insulation Resistance:** 1,000 megaohms minimum  
**Dielectric Strength:** 1,500 V RMS @ sea level  
**Operating Temperature:** -30°C to 85°C

**MATERIALS**

**Case:** Glass filled Nylon 6/6 (UL94V-0)  
**Plunger:** Glass filled nylon or glass filled polyester  
**Bushing:** Brass, nickel plated  
**Housing:** Stainless steel  
**Terminal/Switch Support:** Brass or steel, electrotin plated  
**Terminal Seal:** Epoxy

**ORDERING INFORMATION**

SERIES	MODEL NO.	PLUNGER	BUSHING	TERMINATION	CONTACT	SEAL
<b>38E</b>	<b>WSP7</b>	<b>1</b>	<b>B1</b>	<b>M1</b>	<b>Q</b>	<b>T</b>
38E = Sealed Snap Action Pushbutton Switches	Options: WSP7, WDP7 (see models for switching positions)	Options: 1, 2, 3 (see plunger options)	Options: B1, B4 (see bushing options)	Options: M1, M2, M6, M7, S2, S3, S4, S5, S6, S7 V2, V3, V4, V5, (see termination options)	R = Copper alloy, gold plate over nickel plate.  Q = Copper alloy, silver plated  G=Gold plate over silver plate	T = Lead Free and RoHS Compliant

Pushbutton Switches