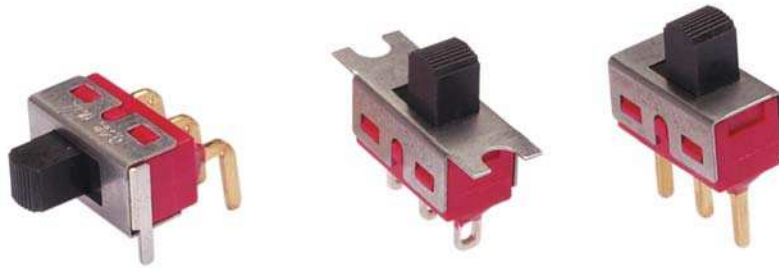


SERIES 48A
Slide Switches

FEATURES

- Save Space and Weight
- SPDT and DPDT Circuitry
- Choice of Actuators and Terminations



MODELS In inches (and millimeters)

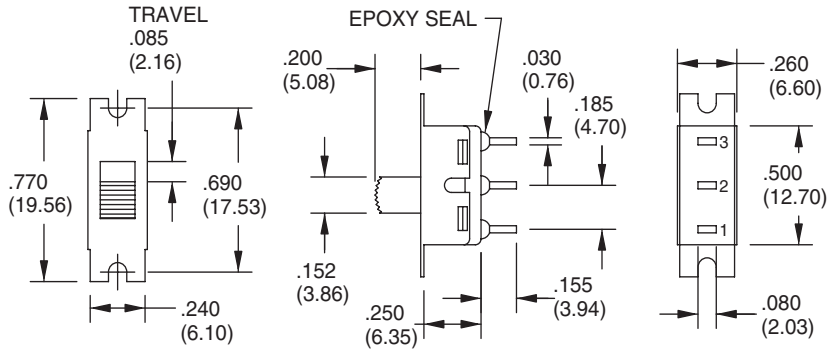
SPDT

MODEL NO.	SWITCH POSITION		
SSP1	ON	NONE	ON
SSP2	ON	NONE	(ON)
SSP3	ON	OFF	ON
TERM. COMM.	2-1	OPEN	2-3

()=MOMENTARY

02COMM.

SCHEMATIC 1 ● ● 3



DPDT

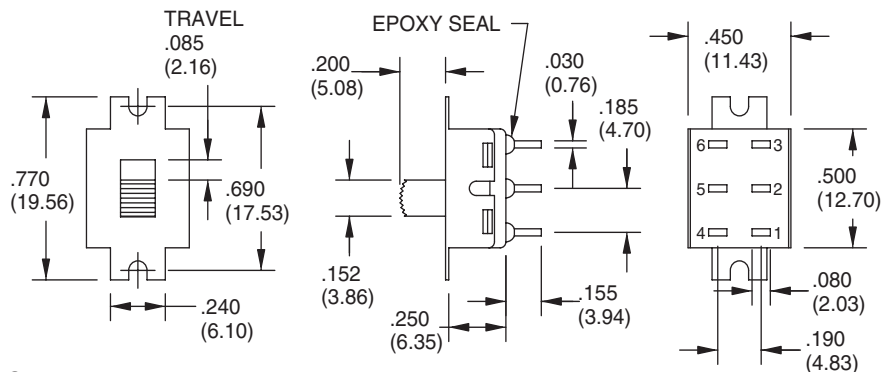
MODEL NO.	SWITCH POSITION		
SDP1	ON	NONE	ON
SDP3	ON	OFF	ON
TERM. COMM.	2-1,5-4	OPEN	2-3,5-6

()=MOMENTARY

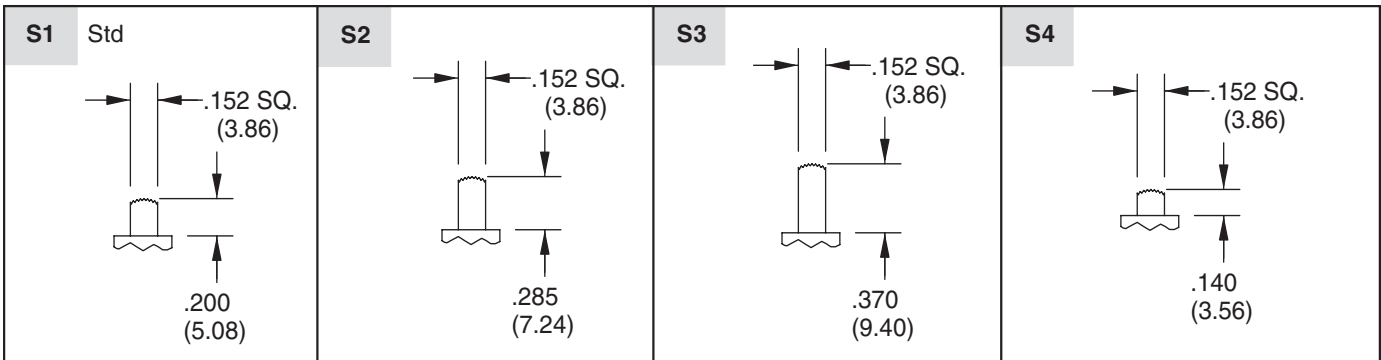
02COMM.

05COMM.

SCHEMATIC 1 ● ● 3 4 ● ● 6



ACTUATOR OPTIONS In inches (and millimeters)



Slide Switches

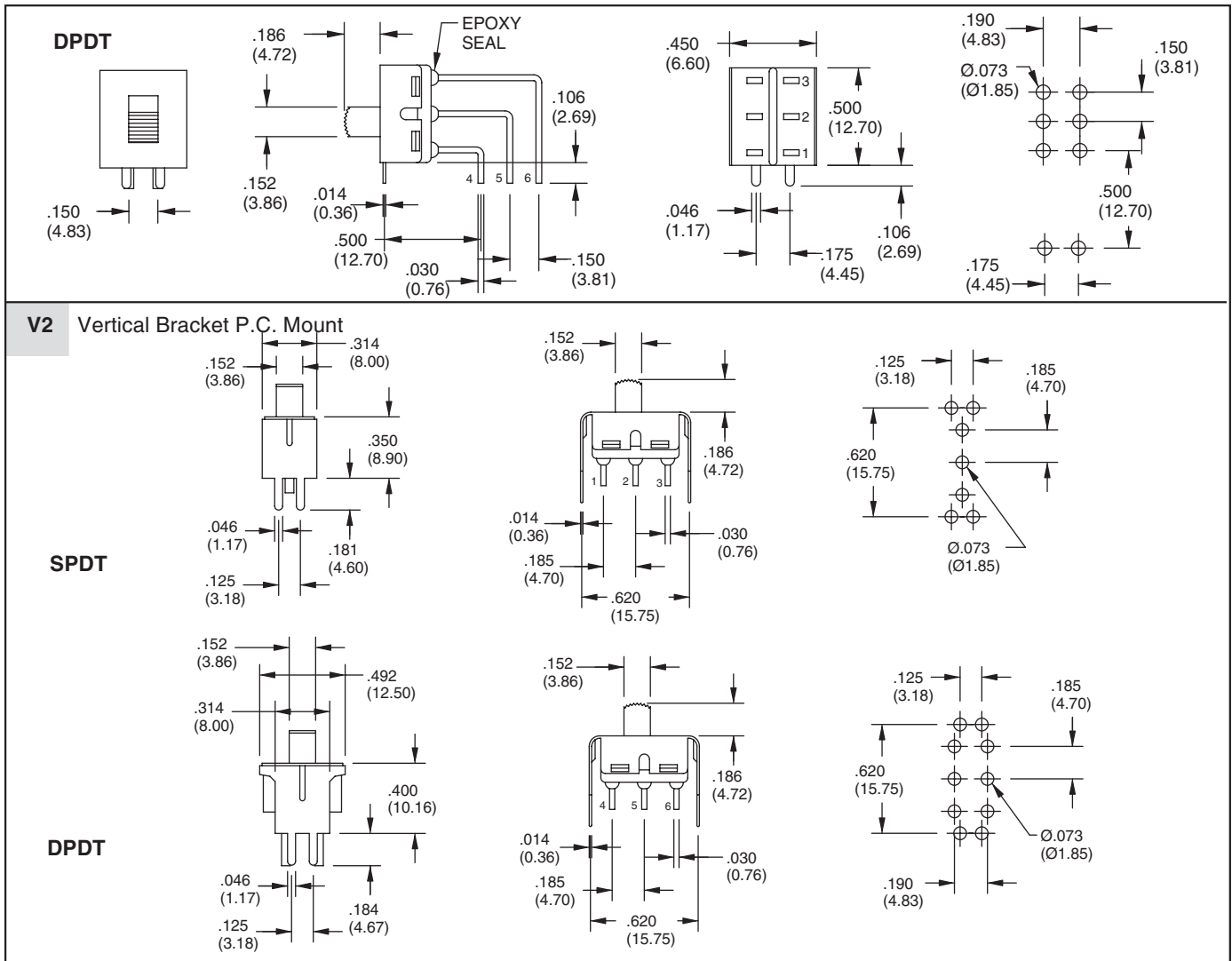
ACTUATOR OPTIONS In inches (and millimeters)

<p>S5 For DPDT Only</p>	<p>S6</p>	<p>S7</p>	<p>T1 For DPDT Only</p>
--------------------------------	------------------	------------------	--------------------------------

TERMINATION OPTIONS In inches (and millimeters)

<p>M1 Solder Lug</p>	<p>M2 P.C. Mount (Std)</p>	<p>M3 P.C. Mount, Quick Connect</p>	
<p>M6 Right Angle P.C. Mount, Horizontal Actuation</p>			
<p>M7 Right Angle P.C. Mount, Vertical Actuation</p>			

TERMINATION OPTIONS In inches (and millimeters)



SPECIFICATIONS RATINGS

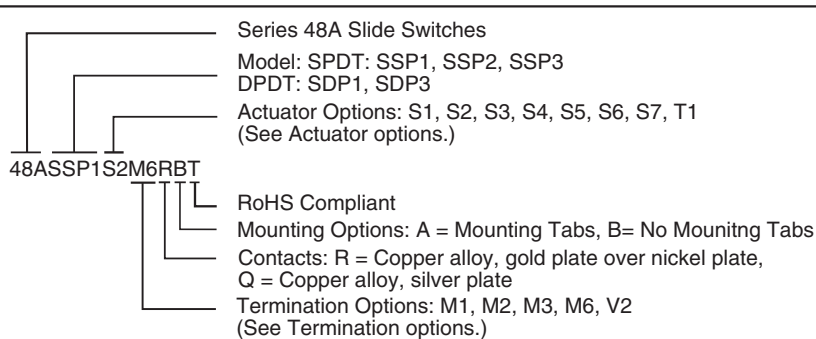
Contact Rating: Q option - 5A with resistive load @ 125 VAC or 28 VDC; 2A with resistive load @ 250 VAC. R option - 0.4 VA max @ 20 Vmax (AC or DC)
Electrical Life: 30,000 cycles at full load

Contact Resistance: 10 milliohms max. initial @ 2-4 VDC, 100 mA
Insulation Resistance: 1,000 megaohms minimum
Dielectric Strength: 1,000 V RMS @ sea level
Operating Temperature: -30°C to 85°C

MATERIALS

Case: Diallyl phthalate (DAP) (UL94V-0)
Housing: Stainless steel
Slide Handle: Nylon
Terminal/Contacts: Copper alloy with gold over silver plate.
Terminal Seal: Epoxy

ORDERING INFORMATION



Available from your local Grayhill Component Distributor. For prices and discounts, contact a local Sales Office, an authorized local Distributor or Grayhill.

Slide Switches