

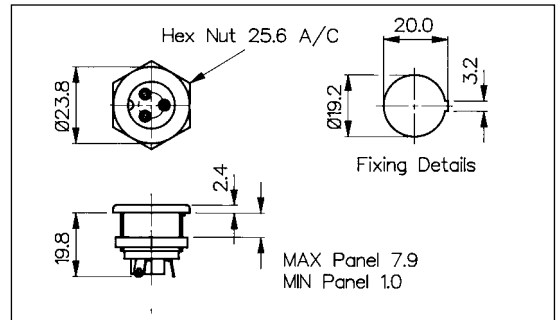
Plugs and Sockets (2 Pole + Earth)

CIRCULAR MALE INLET



PX0429

- 2 Pole + Earth
- Mates with PX0430/SE and PX0646
- Key to Ensure Correct Polarity
- Solder Tags
- 3A, 250V a.c.

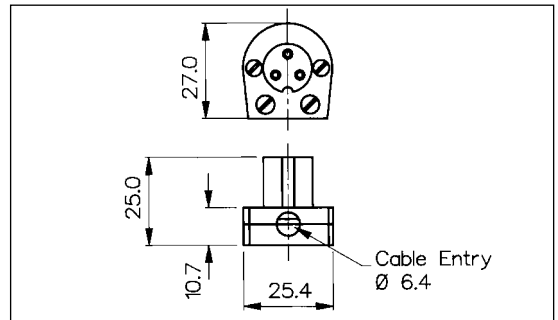


CIRCULAR FEMALE CONNECTOR



PX0430/SE

- 2 Pole + Earth
- Mates with PX0429
- Key Way to Ensure Correct Polarity
- Solder Tags
- 3A, 250V a.c.

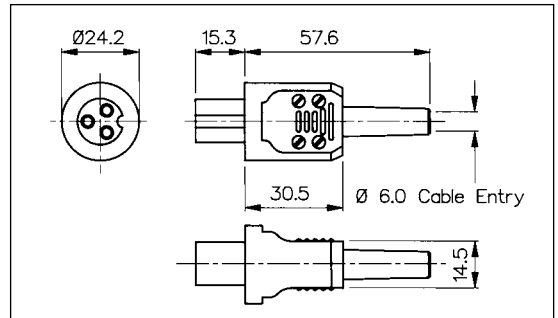


CIRCULAR FEMALE CONNECTOR



PX0646

- 2 Pole + Earth
- Mates with PX0429
- Key Way to Ensure Correct Polarity
- Solder Tags
- 3A, 250V a.c.



GEN. PURPOSE

| Specification          | PX0429                               | PX0430/SE                                       | PX0646  |
|------------------------|--------------------------------------|---|---|
| Terminations:          | Solder Tags                          | Solder Tags                                     | Solder Tags                                     |
| Max. Rating:           | 3A, 250V a.c.                        | 3A, 250V a.c.                                   | 3A, 250V a.c.                                   |
| Contact Resistance:    | <10mΩ                                | <10mΩ   | <10mΩ   |
| Insulation Resistance: | >10 <sup>5</sup> MΩ                  | >10 <sup>5</sup> MΩ                             | >10 <sup>5</sup> MΩ                             |
| A.C. Breakdown:        | Pole-Pole 4.5kV<br>Poles-Panel 8.5kV | Pole-Pole 4.5kV<br>Poles-Accessible Parts 3.5kV | Pole-Pole 4.5kV<br>Poles-Accessible Parts 3.5kV |
| Operating Temp. Range: | -20°C to +60°C                       | -20°C to +60°C                                  | -20°C to +60°C                                  |
| Mouldings:             | Glass Filled Nylon                   | Nylon and Glass Filled Nylon                    | Nylon and Glass Filled Nylon                    |
| Contacts:              | Brass, Tin Plated                    | Brass, Silver Plated                            | Brass, Silver Plated                            |
| Accessories:           | P.No. 9455 (see page 151)            |   |   |
| Mates With:            | PX0430/SE & PX0646                   | PX0429  | PX0429  |
| <b>RoHS</b>            | Compliant                            | Compliant                                       | Compliant                                       |