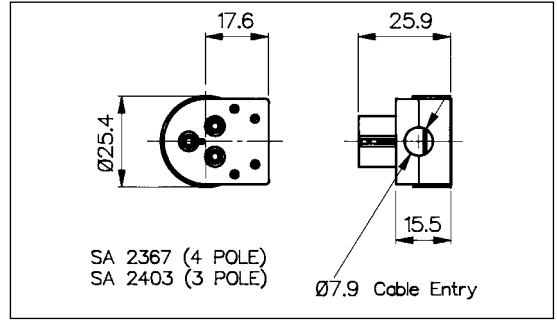


Plugs and Sockets (3 & 4 pole)

CIRCULAR MALE CONNECTOR



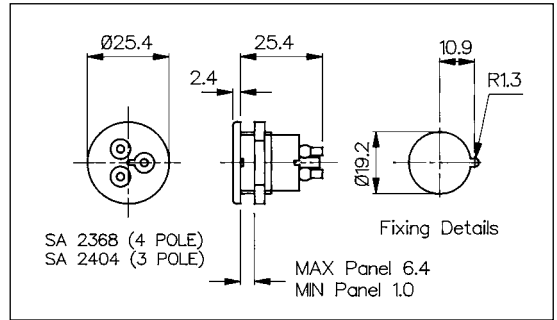
- Mates with SA2404 (3 pole) and SA2368 (4 pole)
- Key to Ensure Correct Polarity
- Screw Terminals
- 3A, 250V a.c.



CIRCULAR FEMALE OUTLET



- Mates with SA2403 (3 pole) and SA2367 (4 pole)
- Key Way to Ensure Correct Polarity
- Solder Sockets
- 3A, 250V a.c.



Specification	SA2403 (3 Pole) SA2367 (4 Pole)	SA2404 (3 Pole) SA2368 (4 Pole)
Terminations:	Screw Terminals	Solder Buckets
Max. Rating:	3A, 250V a.c.	3A, 250V a.c.
Contact Resistance:	<10mΩ	<10mΩ
Insulation Resistance:	>10 <sup>4</sup> MΩ	>10 <sup>4</sup> MΩ
A.C. Breakdown:	Pole-Pole 4.2kV Poles-Accessible Parts 2kV	Pole-Pole 4.2kV Poles-Panel 8.2kV
Operating Temp. Range:	-20°C to +70°C	-20°C to +70°C
Mouldings:	Glass Filled Nylon	Glass Filled Nylon
Contacts:	Brass, Nickel Plated	Brass, Tin Plated
Accessories:		P.No. 9455 (see page 151)
Mates With:	3 Pole - SA2404 4 Pole - SA2368	3 Pole - SA2403 4 Pole - SA2367
<b>RoHS</b>	Compliant	Compliant