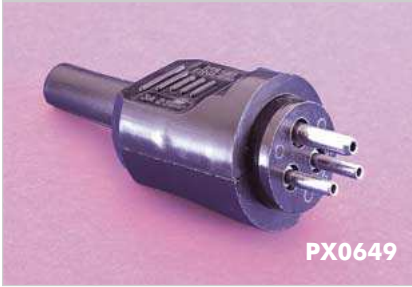


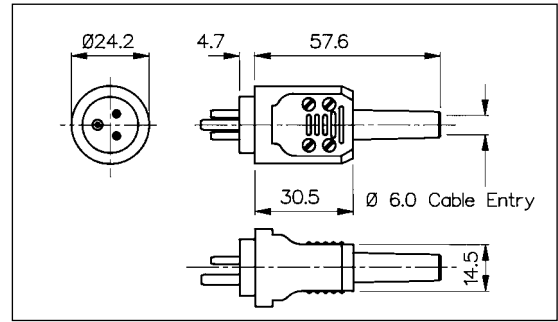
Plug and Socket (2 Pole + Earth)

CIRCULAR MALE CONNECTOR



PX0649

- 2 Pole + Earth
- Mates with PX0650
- Solder Sockets
- 3A, 250V a.c.

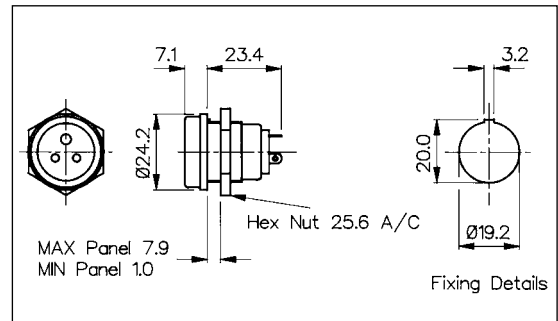


CIRCULAR FEMALE OUTLET



PX0650

- 2 Pole + Earth
- Mates with PX0649
- Solder Tags
- 3A, 250V a.c.



Specification	PX0649	PX0650
Terminations:	Solder Sockets	Solder Tags
Max. Rating:	3A, 250V a.c.	3A, 250V a.c.
Contact Resistance:	<10mΩ	<10mΩ
Insulation Resistance:	>10 ⁴ MΩ	>10 ⁴ MΩ
A.C. Breakdown:	Pole-Pole 4.2kV Poles-Accessible Parts 10kV	Pole-Pole 4.2kV Poles-Panel 10kV
Operating Temp. Range:	-20°C to +60°C	-20°C to +60°C
Mouldings:	Nylon and Phenolic	Glass Filled Nylon
Contacts:	Brass, Tin Plated	Brass, Silver Plated
Accessories:		P.No. 9455 (see page 151)
Mates With:	PX0650	PX0649
RoHS	Compliant	Compliant