



# DIM01 SERIES

## DC/DC LED DRIVER WITH DALI INTERFACE MODULE



### Features

- \* Compatible to the DALI Standard
- \* Provides Two Sets of LED Lighting Synchronization Controls
- \* Adjustable Output Current
- \* Waterproof design for DIM01HXXXW
- \* Efficiency to 95%.



DIM01HXXXW



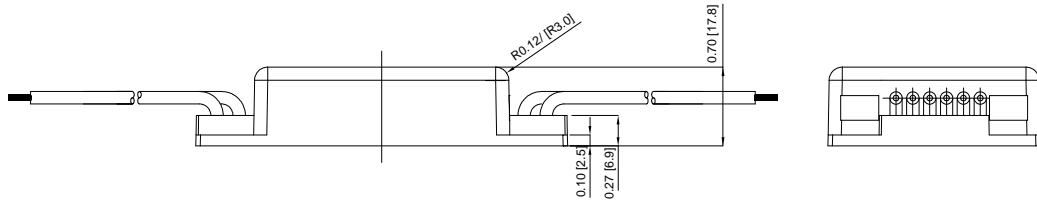
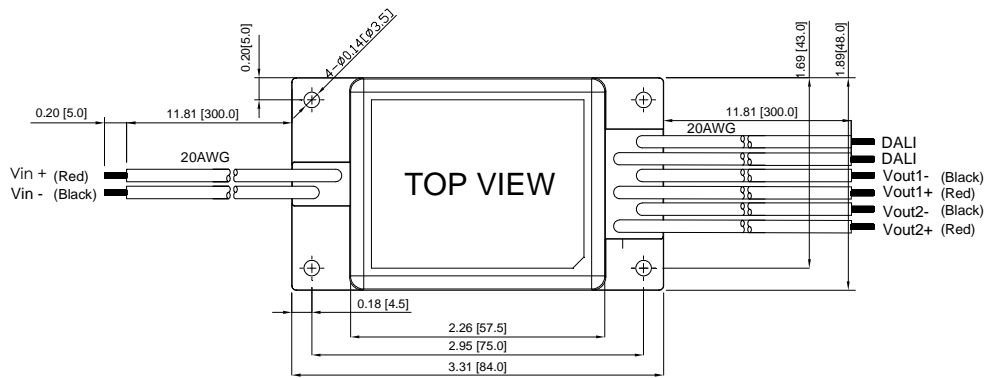
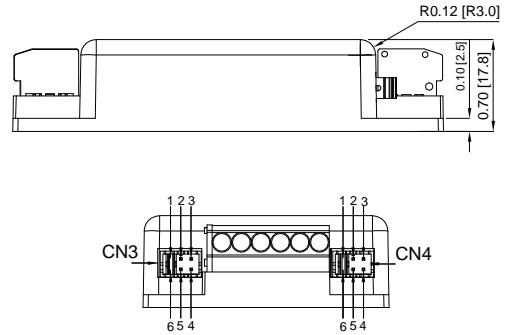
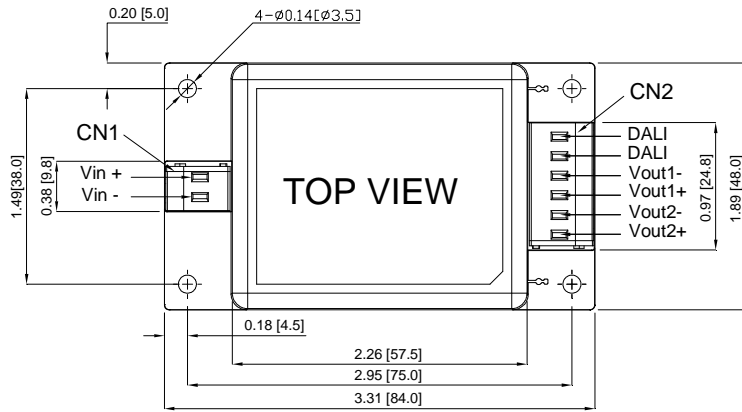
DIM01L&DIM01H

MODEL Number	Input Voltage Range Note.1	Output Operating Voltage Note.1	Output Rated Current	Output Rated Power (max.)	Ripple and Noise(max.) Note.5	Efficiency (Typical) Note.6
DIM01L	12-30Vdc	Vout1=10-26Vdc	1000,700,550mA	26W	300mVpp	93%
		Vout2=10-26Vdc	<b>Note.7</b>			
DIM01H	12-60Vdc	Vout1=10-56Vdc	700,550,350mA	39.2W	400mVpp	95%
		Vout2=10-56Vdc	<b>Note.7</b>			
DIM01H100W	12-60Vdc	Vout1=10-56Vdc	1000mA	56W	400mVpp	95%
		Vout2=10-56Vdc				
DIM01H070W		Vout1=10-56Vdc	700mA	39.2W	400mVpp	95%
		Vout2=10-56Vdc				
DIM01H055W		Vout1=10-58Vdc	550mA	31.9W	400mVpp	95%
		Vout2=10-58Vdc				
DIM01H035W	Vout1=10-58Vdc	350mA	20.3w	400mVpp	95%	
	Vout2=10-58Vdc					



# Mechanical Specification

All Dimensions In Inches[mm]  
 Tolerance Inches:x.xx= ±0.02, x.xxx= ±0.010  
 Millimeters:x.x= ±0.5, x.xx=±0.25



## DALI installation cable

## Installation Drawing

Cable length	min. cable cross-section (AWG)
up to 100 m (325 ft)	0.5 mm <sup>2</sup> (#20)
100...150 m (325...492 ft)	0.75 mm <sup>2</sup> (#18)
150...300 m (492...984 ft)	1.5 mm <sup>2</sup> (#16)

### DALI Controller

