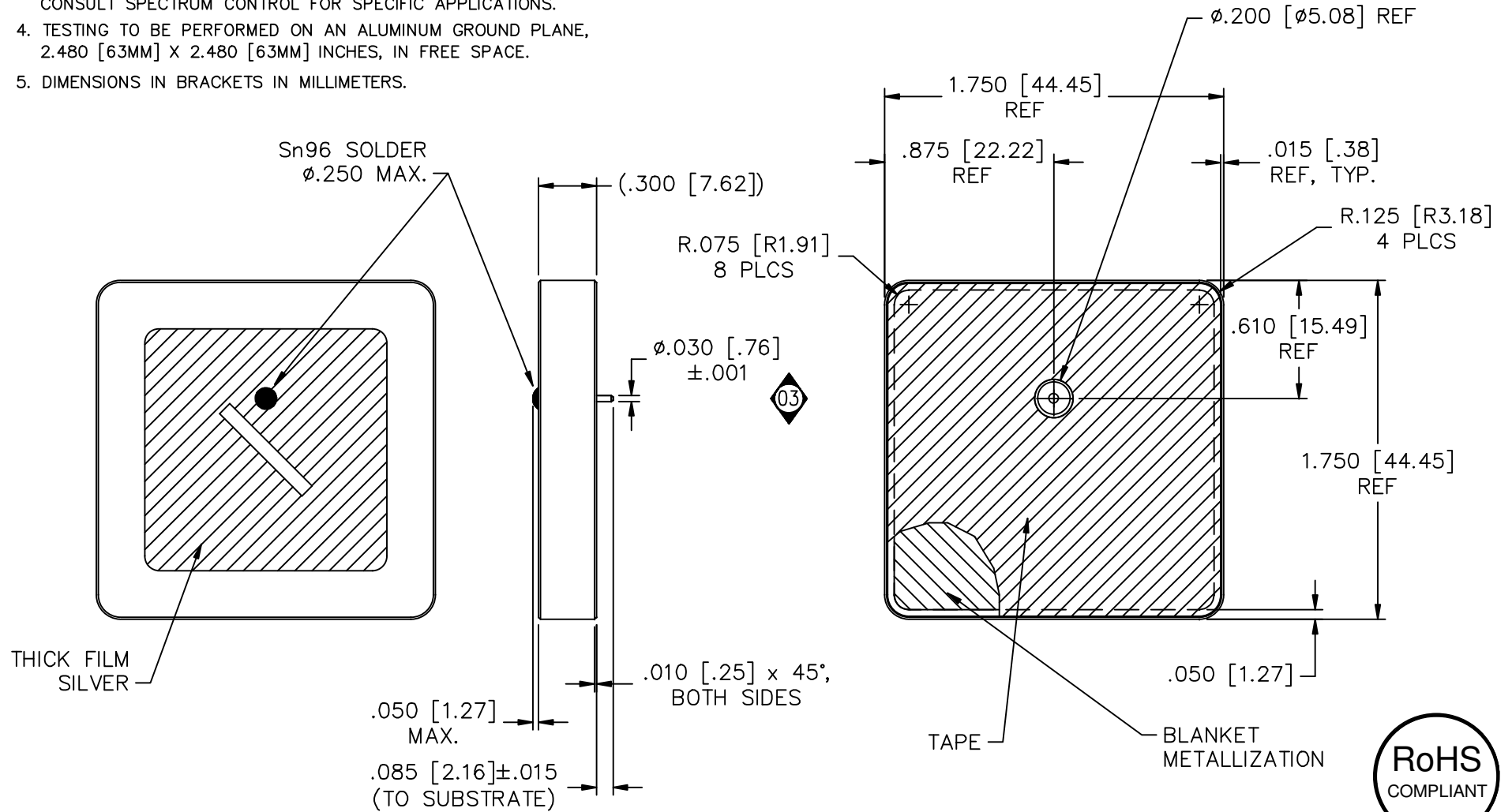


NOTES:

- ELECTRICAL SPECIFICATIONS:
 LEFT HAND CIRCULAR POLARIZATION
 VSWR = 2:1, BW = 135 MHz
 AXIAL RATIO = 6dB MAX. @ 1615 MHz
- SPECIFICATIONS ARE FOR UNPACKAGED ANTENNA.
- FOOTPRINT AND ELECTRICAL SPECIFICATIONS ARE SUBJECT TO CHANGE.
 CONSULT SPECTRUM CONTROL FOR SPECIFIC APPLICATIONS.
- TESTING TO BE PERFORMED ON AN ALUMINUM GROUND PLANE,
 2.480 [63MM] X 2.480 [63MM] INCHES, IN FREE SPACE.
- DIMENSIONS IN BRACKETS IN MILLIMETERS.



03	02	01	00	REV.	UNLESS OTHERWISE SPECIFIED DIMENSIONS ARE IN INCHES (MM) DO NOT SCALE.	TOLERANCES UNLESS OTHERWISE SPECIFIED	FAIRVIEW PENNSYLVANIA Description PATCH ANTENNA	
CN 36800-ENG	CN 36611-ENG	CN 34617-CPD	REDRAWN	CHANGE NOTICE		Fractions $\pm 1/64$		Dec .XX \pm 01(0.3)
						Dec .XXX \pm 005(0.13)		Angles $\pm 0^\circ 30'$
						CODE IDENT. NO. OLSP2		Eng. C. KIRETA
Quality Products From The Specialists In Electro-Magnetic Compatibility							Date 8-17-07 Sheet 1 of 1 PA451615-1575A	