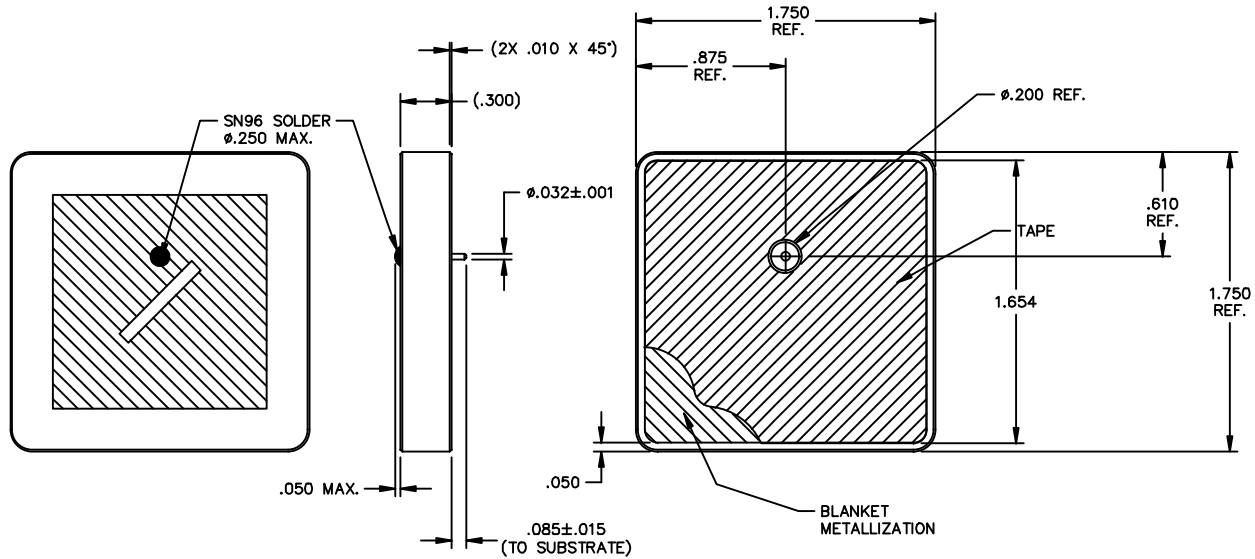



NOTES:

- ELECTRICAL SPECIFICATIONS:
 CENTER FREQUENCY: 1592 MHz
 FREQUENCY TOLERANCE: ± 10 MHz
 3:1 VSWR B.W. = 175 MHz
 MIN GAIN @ C.F. = 4 dBic
 HALF POWER BEAMWIDTH:
 110° SOLID ANGLE
 EFFICIENCY: 60% TYPICAL
 VSWR @ C.F. = $\leq 1.8:1$
 AXIAL RATIO: 6 dB
 RIGHT HAND CIRCULAR POLARIZATION
 $Z_{IN} = 50$ OHMS
- SPECIFICATIONS ARE FOR UNPACKAGED ANTENNA.
- FOOTPRINT AND ELECTRICAL SPECIFICATIONS ARE SUBJECT TO CHANGE. CONSULT SPECTRUM MICROWAVE FOR SPECIFIC APPLICATIONS.
- TESTING TO BE PERFORMED ON AN ALUMINUM GROUND PLANE, 63mm (2.480 IN) X 63mm (2.480 IN) SQUARE, IN FREE SPACE.



All technical information and the design disclosure in this drawing or in any accompanying technical data was originated by and is the property of Spectrum Microwave, Inc. All patent, proprietary, design, manufacturing, reproduction, use and sales rights in any information disclosed herein are reserved by Spectrum Control, Inc. No right or license to use any such information for any purpose other than as agreed to by Spectrum Control, Inc. is prohibited without written permission of Spectrum Control, Inc.



										01	00	REV. NCL.	UNLESS OTHERWISE SPECIFIED DIMENSIONS ARE IN INCHES. DO NOT SCALE.	TOLERANCES UNLESS OTHERWISE SPECIFIED Fractions $\pm 1/64$ Dec. .xx $\pm .02$ Dec. .xxx $\pm .005$ Angles $\pm 0^{\circ} 30'$	 SPECTRUM CONTROL INC.	FAIRVIEW PENNSYLVANIA			
										CN 41416-ENG	REDRAWN	CN 33012-CPD				CHANGE NOTICE	Dec. .xxx $\pm .005$	Dwn. KAUFFMAN	Description
																	Angles $\pm 0^{\circ} 30'$	DATE 5-02-08	PATCH ANTENNA ASSEMBLY
																	CODE IDENT. NO. OLSP2	Engr. C.KIRETA	PA451621-1575SA
															Sheet 1 of 1				

Quality Products From The Specialists In Electro-Magnetic Compatibility

FORMED ON AN ALUMINUM GROUND PLANE,
3mm (2.480 IN) SQUARE, IN FREE SPACE.

