

# Tight Spot SMA Wrench

## HT-SERIES

### SMA Connectors

#### Key Features

- Ability to remove SMA connectors without removing the adjacent cables
- Small portable tool, fits in pocket
- Connect or disconnect SMA connectors in tight spaces
- Use in combination with torque wrench or just with fingers

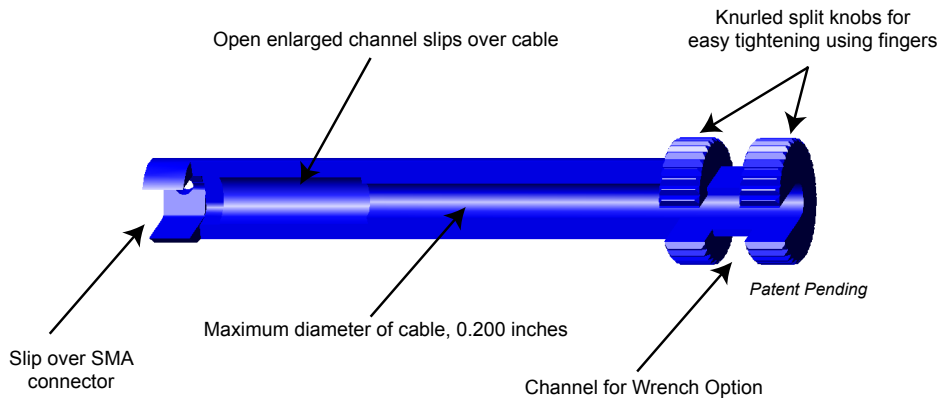


HT-2-SMA HT-4-SMA  
CASE STYLE: MY-1E

Model	Price	Qty.
HT-2-SMA	\$24.95 ea.	(1-9)
HT-4-SMA	\$29.95 ea.	(1-9)

#### Product Overview

The HT-Series wrenches allow for convenient and easy connecting or disconnecting of SMA cable connectors in tight spaces, with either a wrench or simply finger grip. The use of HT-Series accommodates most SMA cable width diameters.



#### How to use the wrench

1. The open box wrench head is slid onto the hex nut as shown in figure-1.
2. The knurled split knobs are rotated to tighten or un-tighten the SMA cable nut by use of fingers. Alternatively, an open end wrench or a torque wrench can be used as shown in figure-2.

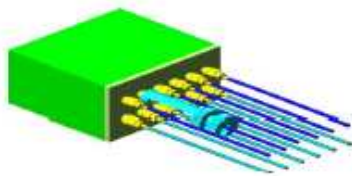


Figure-1

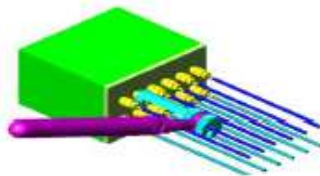
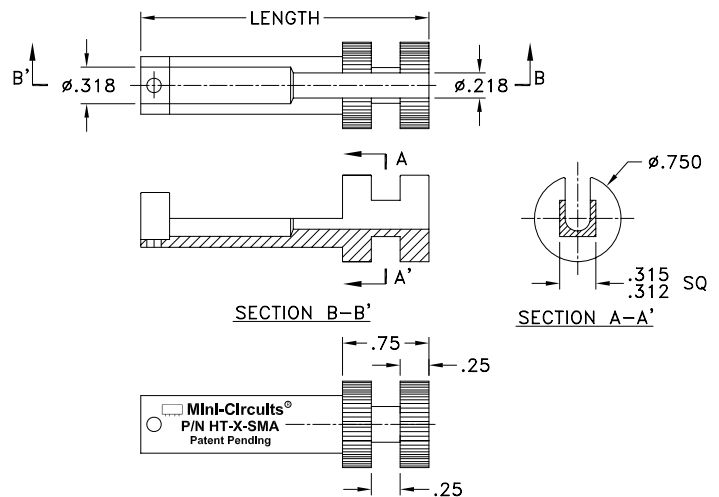


Figure-2

#### Outline Drawing



#### Outline Dimensions (inch/mm)

Model No.	Case Style	Length	wt. grams
HT-2-SMA	MY-1E-004	2.50 63.50	13.2
HT-4-SMA	MY-1E-005	4.00 101.60	18.5

#### Notes

- A. Performance and quality attributes and conditions not expressly stated in this specification document are intended to be excluded and do not form a part of this specification document.  
 B. Electrical specifications and performance data contained in this specification document are based on Mini-Circuit's applicable established test performance criteria and measurement instructions.  
 C. The parts covered by this specification document are subject to Mini-Circuits standard limited warranty and terms and conditions (collectively, "Standard Terms"); Purchasers of this part are entitled to the rights and benefits contained therein. For a full statement of the Standard Terms and the exclusive rights and remedies thereunder, please visit Mini-Circuits' website at [www.minicircuits.com/MCLStore/terms.jsp](http://www.minicircuits.com/MCLStore/terms.jsp)

