

Coaxial

Power Splitter/Combiner

ZB4PD-4+

4 Way-0° 50Ω 3700 to 4200 MHz



SMA version shown
CASE STYLE: Z54

Maximum Ratings

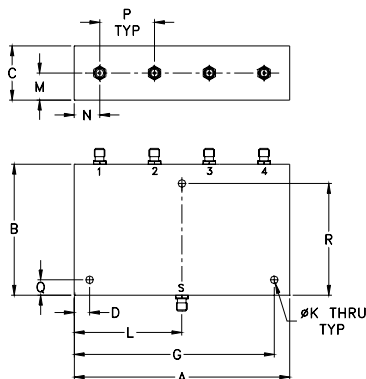
Operating Temperature	-55°C to 100°C
Storage Temperature	-55°C to 100°C
Power Input (as a splitter)	10W max.
Internal Dissipation	0.375W max.

Permanent damage may occur if any of these limits are exceeded.

Coaxial Connections

SUM PORT	S
PORT 1	1
PORT 2	2
PORT 3	3
PORT 4	4

Outline Drawing



Outline Dimensions (inch/mm)

A	B	C	D	G	K	
3.50	2.13	.88	.250	3.250	.125	
88.90	54.10	22.35	6.35	82.55	3.18	
L	M	N	P	Q	R	wt
1.750	.44	.415	.89	.250	1.813	grams
44.45	11.18	10.54	22.61	6.35	46.05	250

Features

- wideband, 3700 to 4200 MHz
- up to 10W power input as splitters
- rugged, shielded case

Applications

- wireless
- communication systems
- satellite communications

Connectors	Model	Price	Qty.
SMA	ZB4PD-4-S(+)	\$94.95	(1-9)
N-TYPE	ZB4PD-4-N+	\$94.95	(1-9)

+ RoHS compliant in accordance with EU Directive (2002/95/EC)

The +Suffix has been added in order to identify RoHS Compliance. See our web site for RoHS Compliance methodologies and qualifications.

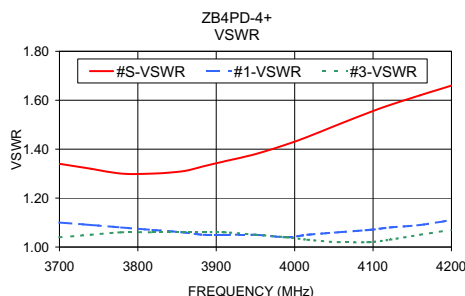
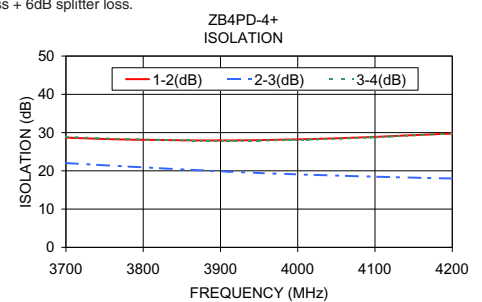
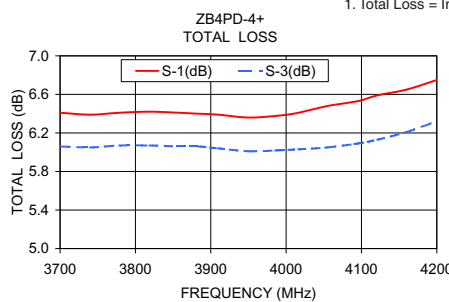
Electrical Specifications

FREQ. RANGE (MHz)	ISOLATION (dB)		INSERTION LOSS (dB) ABOVE 6.0 dB		PHASE UNBALANCE (Degrees)	AMPLITUDE UNBALANCE (dB)
	Typ.	Min.	Typ.	Max.	Max.	Max.
f_L - f_U						
3700-4200	24	15	0.6	1.1	8	0.8

Typical Performance Data

Freq. (MHz)	Total Loss ¹ (dB)				Amp. Unbal. (dB)	Isolation (dB)			VSWR S	VSWR 1	VSWR 2	VSWR 3	VSWR 4
	S-1	S-2	S-3	S-4		1-2	2-3	3-4					
3700.00	6.41	6.16	6.06	6.43	0.37	28.68	22.06	28.90	1.34	1.10	1.07	1.04	1.11
3740.00	6.39	6.16	6.05	6.42	0.37	28.40	21.57	28.54	1.32	1.09	1.07	1.05	1.11
3778.80	6.41	6.17	6.07	6.45	0.38	28.18	21.13	28.28	1.30	1.08	1.07	1.06	1.10
3818.80	6.42	6.17	6.07	6.47	0.40	28.07	20.72	28.12	1.30	1.07	1.07	1.06	1.09
3857.50	6.41	6.17	6.06	6.47	0.41	27.97	20.30	27.95	1.31	1.06	1.07	1.06	1.09
3883.80	6.40	6.17	6.06	6.46	0.40	27.95	20.05	27.90	1.33	1.05	1.06	1.06	1.08
3910.00	6.39	6.16	6.04	6.44	0.40	27.95	19.80	27.88	1.35	1.05	1.06	1.06	1.08
3950.00	6.36	6.13	6.01	6.41	0.40	28.02	19.44	27.93	1.38	1.05	1.06	1.05	1.09
3990.00	6.38	6.13	6.02	6.43	0.41	28.19	19.16	28.05	1.42	1.04	1.05	1.04	1.09
4016.30	6.41	6.15	6.03	6.45	0.42	28.31	18.96	28.18	1.45	1.05	1.06	1.03	1.10
4055.00	6.48	6.17	6.05	6.51	0.46	28.55	18.72	28.42	1.50	1.06	1.07	1.02	1.11
4095.00	6.53	6.22	6.09	6.54	0.45	28.85	18.49	28.74	1.55	1.07	1.09	1.02	1.12
4121.30	6.59	6.27	6.13	6.58	0.46	29.08	18.36	28.97	1.58	1.08	1.10	1.03	1.13
4160.00	6.65	6.35	6.21	6.64	0.44	29.42	18.17	29.37	1.62	1.09	1.12	1.05	1.14
4200.00	6.75	6.46	6.32	6.71	0.43	29.76	18.00	29.78	1.66	1.11	1.14	1.07	1.15

1. Total Loss = Insertion Loss + 6dB splitter loss.



electrical schematic



For detailed performance specs & shopping online see web site



P.O. Box 350166, Brooklyn, New York 11235-0003 (718) 934-4500 Fax (718) 332-4661 The Design Engineers Search Engine www.minicircuits.com Provides ACTUAL Data Instantly at minicircuits.com

Notes: 1. Performance and quality attributes and conditions not expressly stated in this specification sheet are intended to be excluded and do not form a part of this specification sheet. 2. Electrical specifications and performance data contained herein are based on Mini-Circuit's applicable established test performance criteria and measurement instructions. 3. The parts covered by this specification sheet are subject to Mini-Circuit's standard limited warranty and terms and conditions (collectively, "Standard Terms"); Purchasers of this part are entitled to the rights and benefits contained therein. For a full statement of the Standard Terms and the exclusive rights and remedies thereunder, please visit www.minicircuits.com (M/C) Standard Terms.

REV. C
M127604
ZB4PD-4+
HY/TD/CP/AM
100617