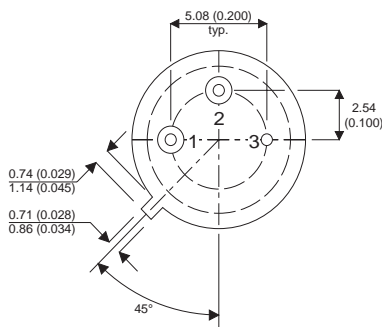
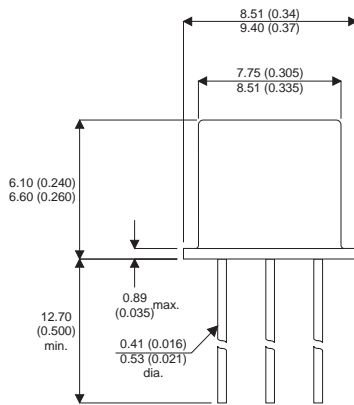


MECHANICAL DATA

Dimensions in mm (inches)



TO39 PACKAGE

Underside View

Pin 1 = Emitter Pin 2 = Base Pin 3 = Collector

NPN SILICON TRANSISTOR

FEATURES

- NPN High Voltage Planar Transistor
- Hermetic TO39 Package
- Full Screening Options Available

ABSOLUTE MAXIMUM RATINGS ($T_{case} = 25^{\circ}C$ unless otherwise stated)

V_{CBO}	Collector – Base Voltage	150V
V_{CEO}	Collector – Emitter Voltage ($I_B = 0$)	150V
V_{EBO}	Emitter – Base Voltage ($I_B = 0$)	6V
I_C	Collector Current	300mA
P_D	Total Device Dissipation $T_A = 25^{\circ}C$	1W
P_D	Derate above $25^{\circ}C$	5.71mW / $^{\circ}C$
T_{stg}	Storage Temperature	-65 to $200^{\circ}C$
R_{ja}	Thermal Resistance Junction to Ambient	175 $^{\circ}C/W$

Semelab Plc reserves the right to change test conditions, parameter limits and package dimensions without notice. Information furnished by Semelab is believed to be both accurate and reliable at the time of going to press. However Semelab assumes no responsibility for any errors or omissions discovered in its use. Semelab encourages customers to verify that datasheets are current before placing orders.

ELECTRICAL CHARACTERISTICS ($T_A = 25^\circ\text{C}$ unless otherwise stated)

Parameter	Test Conditions	Min.	Typ.	Max.	Unit	
OFF CHARACTERISTICS						
$V_{(BR)CEO}$	Collector-Emitter Breakdown Voltage ¹	$I_C = 10\text{mA}$	$I_B = 0$	150		V
$V_{(BR)CBO}$	Collector-Base Breakdown Voltage	$I_C = 10\mu\text{A}$	$I_E = 0$	150		
$V_{(BR)EBO}$	Emitter-Base Breakdown Voltage	$I_E = 10\mu\text{A}$	$I_C = 0$	6		
I_{CBO}	Collector Cutoff Current	$V_{CB} = 75\text{V}$	$I_E = 0$		0.05	μA
		$V_{CB} = 75\text{V}$	$I_E = 0$		50	
		$T_A = 150^\circ\text{C}$				
I_{EBO}	Emitter Cutoff Current	$V_{EB(off)} = 4\text{V}$	$I_C = 0$		25	nA
ON CHARACTERISTICS						
h_{FE}	DC Current Gain	$I_C = 0.1\text{mA}$	$V_{CE} = 10\text{V}$	35		—
		$I_C = 1\text{mA}$	$V_{CE} = 10\text{V}$	50		
		$I_C = 10\text{mA}$	$V_{CE} = 10\text{V}^1$	75		
		$I_C = 150\text{mA}$	$V_{CE} = 10\text{V}^1$	100	300	
		$I_C = 300\text{mA}$	$V_{CE} = 10\text{V}^1$	20		
$V_{CE(SAT)}$	Collector-Emitter Saturation Voltage ¹	$I_C = 10\text{mA}$	$I_B = 1\text{mA}$		0.2	V
		$I_C = 50\text{mA}$	$I_B = 5\text{mA}$		0.25	
		$I_C = 150\text{mA}$	$I_B = 15\text{mA}$		0.4	
$V_{BE(SAT)}$	Base-Emitter Saturation Voltage ¹	$I_C = 10\text{mA}$	$I_B = 1\text{mA}$		0.8	V
		$I_C = 50\text{mA}$	$I_B = 5\text{mA}$		0.9	
		$I_C = 150\text{mA}$	$I_B = 15\text{mA}$		1.2	
SMALL SIGNAL CHARACTERISTICS						
f_T	Current-Gain–Bandwidth Product ²	$V_{CE} = 20\text{V}$	$I_C = 20\text{mA}$ $f = 100\text{MHz}$	150		MHz
C_{obo}	Output Capacitance	$V_{CB} = 10\text{V}$	$I_E = 0$ $f = 1\text{MHz}$		8	pF
C_{ibo}	Input Capacitance	$V_{EB} = 0.5\text{V}$	$I_C = 0$ $f = 1\text{MHz}$		80	
h_{ie}	Input Impedance	$V_{CE} = 10\text{V}$	$I_C = 10\text{mA}$ $f = 1\text{KHz}$	0.25	1.25	Ω
h_{re}	Voltage Feedback Ratio	$V_{CE} = 10\text{V}$	$I_C = 10\text{mA}$ $f = 1\text{KHz}$		4	$\times 10^{-4}$
h_{fe}	Small-Signal Current Gain	$V_{CE} = 10\text{V}$	$I_C = 10\text{mA}$ $f = 1\text{KHz}$		375	—
h_{oe}	Output Admittance	$V_{CE} = 10\text{V}$	$I_C = 10\text{mA}$ $f = 1\text{KHz}$		200	Ω

Semelab Plc reserves the right to change test conditions, parameter limits and package dimensions without notice. Information furnished by Semelab is believed to be both accurate and reliable at the time of going to press. However Semelab assumes no responsibility for any errors or omissions discovered in its use. Semelab encourages customers to verify that datasheets are current before placing orders.

ELECTRICAL CHARACTERISTICS Continued ($T_A = 25^\circ\text{C}$ unless otherwise stated)

Parameter	Test Conditions	Min.	Typ.	Max.	Unit	
SWITCHING CHARACTERISTICS						
t_d	Delay Time	$I_C = 150\text{mA}$ $V_{CC} = 100\text{V}$	$I_{B1} = 15\text{mA}$ $V_{EB(off)} = -2\text{V}$		20	ns
t_r	Rise Time	$I_C = 150\text{mA}$ $V_{CC} = 100\text{V}$	$I_{B1} = 15\text{mA}$ $V_{EB(off)} = -2\text{V}$		35	ns
t_s	Storage Time	$I_C = 150\text{mA}$ $I_{B1} = I_{B2} = 15\text{mA}$	$V_{CC} = 100\text{V}$		800	ns
t_f	Fall Time	$I_C = 150\text{mA}$ $I_{B1} = I_{B2} = 15\text{mA}$	$V_{CC} = 100\text{V}$		80	ns

- 1) Pulse test : Pulse Width < $300\mu\text{s}$,Duty Cycle < 2%
- 2) f_t is defined as the frequency at which $|h_{fe}|.f_{\text{test}}$