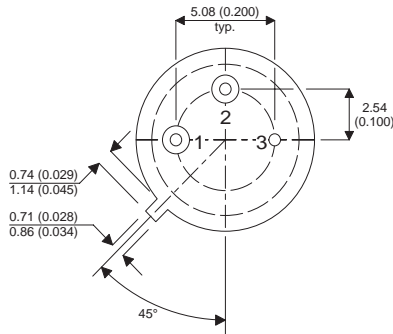
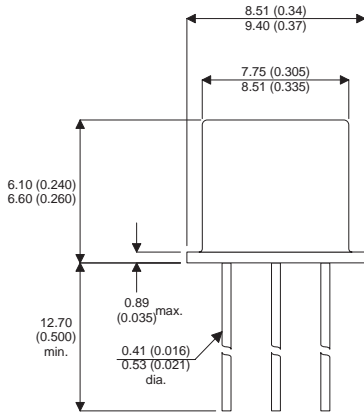


MECHANICAL DATA
Dimensions in mm (inches)



**TO-39 METAL
(TO205AD)**

PIN OUTS

PIN 1 – Emitter PIN 2 – Base PIN 3 – Collector

**HIGH VOLTAGE, HIGH CURRENT, HIGH
SPEED, NPN SWITCHING TRANSISTOR IN
A HERMETICALLY SEALED
TO-39 METAL PACKAGE FOR HIGH
RELIABILITY APPLICATIONS**

FEATURES

- SILICON PLANAR EPITAXIAL NPN TRANSISTOR
- HERMETIC METAL PACKAGE
- CECC SCREENING OPTIONS
- SPACE QUALITY LEVELS OPTIONS
- JAN LEVEL SCREENING OPTIONS
- HIGH SPEED SATURATED SWITCHING

APPLICATIONS:

Hermetically sealed 2N3725 for high reliability applications. Suitable for memory application.

ABSOLUTE MAXIMUM RATINGS ($T_{amb} = 25^{\circ}C$ unless otherwise stated)

V_{CBO}	Collector-base Voltage ($I_E = 0$)	80V
V_{CES}	Collector-emitter Voltage ($V_{BE} = 0$)	80V
V_{CEO}	Collector-emitter Voltage ($I_B = 0$)	50V
V_{EBO}	Emitter-base Voltage ($I_C = 0$)	6V
I_C	Collector Current	1A
P_{tot}	Total Power Dissipation at $T_{amb} \leq 25^{\circ}C$ at $T_{case} \leq 25^{\circ}C$	0.8W 3.5W
T_j	Junction Temperature	- 65 to 200 °C
T_{stg}	Storage Temperature	- 65 to 200 °C

Semelab Plc reserves the right to change test conditions, parameter limits and package dimensions without notice. Information furnished by Semelab is believed to be both accurate and reliable at the time of going to press. However Semelab assumes no responsibility for any errors or omissions discovered in its use. Semelab encourages customers to verify that datasheets are current before placing orders.

ELECTRICAL CHARACTERISTICS ($T_{amb} = 25^{\circ}\text{C}$ unless otherwise stated)

Parameter	Test Conditions	Min.	Typ.	Max.	Unit
I_{CBO} Collector Cutoff Current ($I_E = 0$)	$V_{CB} = 60\text{ V}$			1.7	μA
	$V_{CB} = 60\text{ V}$ $T_{amb} = 100^{\circ}\text{C}$			120	
$V_{(BR)CBO}$ Collector-Base Breakdown Voltage ($I_E = 0$)	$I_C = 10\ \mu\text{A}$	80			V
$V_{(BR)CES}$ Collector-Emitter Breakdown Voltage ($V_{BE} = 0$)	$I_C = 10\ \mu\text{A}$	80			V
$V_{(BR)CEO}^*$ Collector-Emitter Breakdown Voltage ($I_B = 0$)	$I_C = 10\text{ mA}$	50			V
$V_{(BR)EBO}$ Emitter-Base Breakdown Voltage ($I_C = 0$)	$I_E = 10\ \mu\text{A}$	6			V
$V_{CE(sat)}^*$ Collector-Emitter Saturation Voltage	$I_C = 10\text{ mA}$ $I_B = 1\text{ mA}$		0.19	0.25	V
	$I_C = 100\text{ mA}$ $I_B = 10\text{ mA}$		0.21	0.26	
	$I_C = 300\text{ mA}$ $I_B = 30\text{ mA}$		0.31	0.4	
	$I_C = 500\text{ mA}$ $I_B = 50\text{ mA}$		0.4	0.52	
	$I_C = 800\text{ mA}$ $I_B = 80\text{ mA}$		0.5	0.8	
	$I_C = 1000\text{ mA}$ $I_B = 100\text{ mA}$		0.6	0.95	
$V_{BE(sat)}^*$ Base-Emitter Saturation Voltage	$I_C = 10\text{ mA}$ $I_B = 1\text{ mA}$		0.64	0.76	V
	$I_C = 100\text{ mA}$ $I_B = 10\text{ mA}$		0.75	0.86	
	$I_C = 300\text{ mA}$ $I_B = 30\text{ mA}$		0.89	1.1	
	$I_C = 500\text{ mA}$ $I_B = 50\text{ mA}$	0.9		1.2	
	$I_C = 800\text{ mA}$ $I_B = 80\text{ mA}$		1.0	1.5	
	$I_C = 1000\text{ mA}$ $I_B = 100\text{ mA}$		1.1	1.7	
h_{FE}^* DC Current Gain	$I_C = 10\text{ mA}$ $V_{CE} = 1\text{ V}$	30	60		
	$I_C = 100\text{ mA}$ $V_{CE} = 1\text{ V}$	60	90	150	
	$I_C = 300\text{ mA}$ $V_{CE} = 1\text{ V}$	40	60		
	$I_C = 1000\text{ mA}$ $V_{CE} = 5\text{ V}$	25	65		
	$I_C = 800\text{ mA}$ $V_{CE} = 2\text{ V}$	20	40		
	$I_C = 500\text{ mA}$ $V_{CE} = 1\text{ V}$	35			
h_{fe} High Frequency Current Gain ($f = 100\text{Mhz}$)	$I_C = 50\text{ mA}$ $V_{CE} = 10\text{ V}$	3			
C_{CBO} Collector-Base Capacitance ($f = 1\text{Mhz}$)	$I_E = 0$ $V_{CB} = 10\text{ V}$			10	pF
C_{EBO} Emitter-Base Capacitance ($f = 1\text{Mhz}$)	$I_C = 0$ $V_{CB} = 0.5\text{ V}$			55	pF
t_{on} Turn-on Time	$I_C = 500\text{ mA}$ $V_{CC} = 30\text{ V}$ $I_B = 50\text{ mA}$			35	ns
t_{off} Turn off Time	$I_C = 500\text{ mA}$ $V_{CC} = 30\text{ V}$ $I_{B1} = -I_{B2} = 50\text{ mA}$			60	ns

* Pulsed : pulse duration = 300 μs , duty cycle = 1%

THERMAL DATA ($T_{case} = 25^{\circ}\text{C}$ unless otherwise stated)

Parameter	Test Conditions	Min.	Typ.	Max.	Unit
$R_{th\ j\text{-}case}$ Thermal Resistance Junction-Case				50	$^{\circ}\text{C/W}$
$R_{th\ j\text{-}amb}$ Thermal Resistance Junction-Ambient				220	$^{\circ}\text{C/W}$

Semelab Plc reserves the right to change test conditions, parameter limits and package dimensions without notice. Information furnished by Semelab is believed to be both accurate and reliable at the time of going to press. However Semelab assumes no responsibility for any errors or omissions discovered in its use. Semelab encourages customers to verify that datasheets are current before placing orders.