

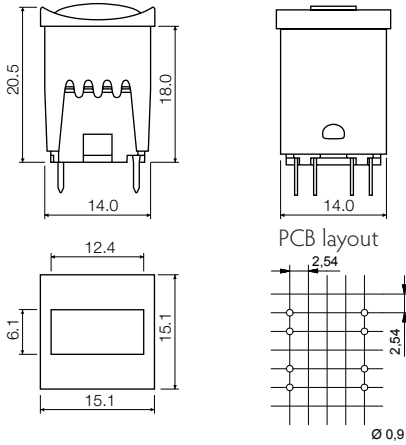


- Square solution
- 15.1mm x 15.1mm
- h=20.5 mm
- Material: ABS
- Temp. Range: -40/+65°C

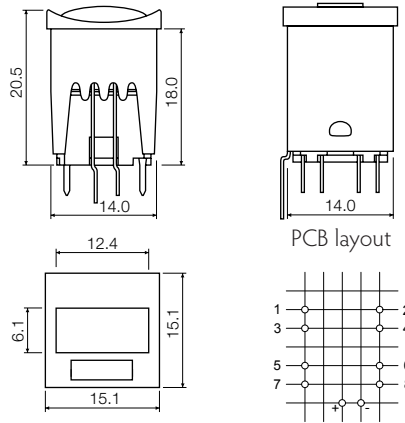
All dimensions in mm

## DIMENSIONS

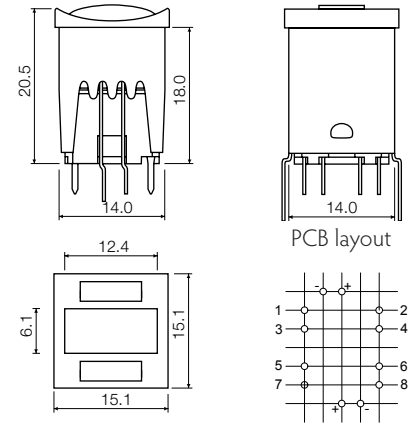
(TH) + 16324




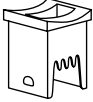

(TH w/LED) + 16325



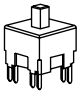






(TH 2 w/LED) + 16326



## NON-ILLUMINATED - HOW TO ORDER

| Switch                       | Extender  | Cap   | Bezel |   |
|------------------------------|---|---|-------|---|
| 1 5                          | +   | 1 6 2 7 0   | +     | 1 6 3 2 4   |
| 15501 mom. silver            |   | 00 blue   |       | 01 brown  |
| 15551 lat. silver            |  | 01 brown  |       | 03 grey   |
| 15502 mom. gold              |   | 02 green  |       | 06 white  |
| 15552 lat. gold              |   | 03 grey   |       | 09 black  |
| 15500 silent silver          |   | 04 yellow   |       |   |
| 15401 mom. silver high temp. |   | 05 golden   |       |   |
| 15402 mom. gold high temp.   |   | 06 white  |       |   |
| 15420 silent gold high temp. |   |   |       |  |
| 15451 lat. silver high temp. |   |   |       |   |
| 15452 lat. gold high temp.   |   |  |       |   |

## ILLUMINATED - HOW TO ORDER

| Switch   | Extender  | Cap   | Bezel  | Lens  | LED  |           |
|--|---|---|--|---|--|-----------|
| 1 5  | +   | 1 6 2 7 0   | +  | 1 6 3 2 7   | +  | 1 6 9 2 2 |
|  |  |  | 16325<br> | 02 green  | 02 green   |           |
|  |   |   | 16326<br> | 04 yellow   | 04 yellow  |           |
|  |   |   |  | 08 red  | 08 red   |           |
|  |   |   |  | Lens 16327<br>2 required<br> | LED 16922<br>2 required<br> |           |

Ordering example: 15551+16270+1630030+1632403 (non-illuminated) OR 15501+16270+1630008+1632509+1632708+1692208 (illuminated)  
Please see colour codes, updates of products and changes of specifications on [www.mec.dk](http://www.mec.dk)