

# 70x70x25 mm

## 40.0~49.0 CFM

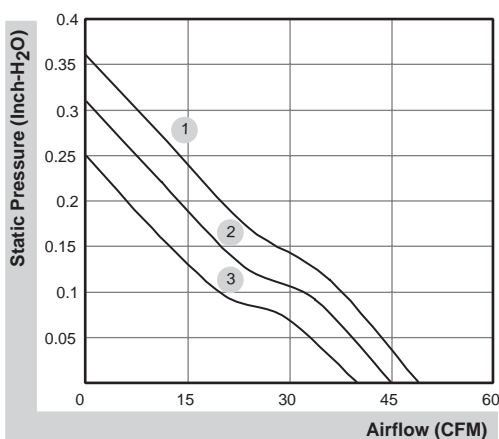


■ Specifications

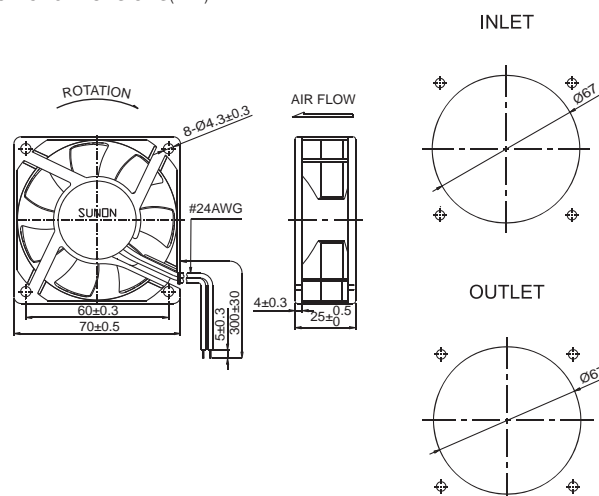
	Bearing	Rating Voltage	Power Current	Power Consumption	Speed	Air Flow	Static Pressure	Noise	Weight	Curve
	● VAPO	(VDC)	(mA)	(WATTS)	(RPM)	(CFM)	(Inch-H <sub>2</sub> O)	(dB(A))	(g)	
PMD1207PTV1-A GN	●	12	370	4.4	5100	49.0	0.36	44.0	90.0	1
PMD1207PTV2-A GN	●	12	320	3.8	4700	45.0	0.31	42.0	90.0	2
PMD1207PTV3-A GN	●	12	250	3.0	4200	40.0	0.25	38.0	90.0	3
PMD2407PTV1-A GN	●	24	200	4.8	5100	49.0	0.36	44.0	90.0	1
PMD2407PTV2-A GN	●	24	160	3.8	4700	45.0	0.31	42.0	90.0	2
PMD2407PTV3-A GN	●	24	130	3.1	4200	40.0	0.25	38.0	90.0	3
PMD4807PTV1-A GN	●	48	120	5.8	5100	49.0	0.36	44.0	90.0	1
PMD4807PTV2-A GN	●	48	110	5.3	4700	45.0	0.31	42.0	90.0	2
PMD4807PTV3-A GN	●	48	90	4.3	4200	40.0	0.25	38.0	90.0	3

Model	Bearing	Rating Voltage	Power Current	Power Consumption	Speed	Air Flow	Static Pressure	Noise	Weight	Curve
	⊕ 2BALL Sleeve	(VDC)	(mA)	(WATTS)	(RPM)	(CFM)	(Inch-H <sub>2</sub> O)	(dB(A))	(g)	
PMD1207PTB1-A (2).GN	⊕	12	370	4.4	5100	49.0	0.36	45.0	90.0	1
PMD1207PTB2-A (2).GN	⊕	12	310	3.7	4700	45.0	0.31	43.0	90.0	2
PMD1207PTB3-A (2).GN	⊕	12	240	2.9	4200	40.0	0.25	39.0	90.0	3
PMD2407PTB1-A (2).GN	⊕	24	190	4.6	5100	49.0	0.36	45.0	90.0	1
PMD2407PTB2-A (2).GN	⊕	24	150	3.6	4700	45.0	0.31	43.0	90.0	2
PMD2407PTB3-A (2).GN	⊕	24	120	2.9	4200	40.0	0.25	39.0	90.0	3
PMD4807PTB1-A (2).GN	⊕	48	120	5.8	5100	49.0	0.36	45.0	90.0	1
PMD4807PTB2-A (2).GN	⊕	48	100	4.8	4700	45.0	0.31	43.0	90.0	2
PMD4807PTB3-A (2).GN	⊕	48	80	3.8	4200	40.0	0.25	39.0	90.0	3

■ Air Flow-Static Pressure Characteristics



■ External dimensions(mm)



\*All model could be customized. Please contact with Sunon Sales.

\*Specifications are subject to change without notice. Please Visit SUNON website at <http://www.sunon.com> for update information.