

120x120x25 mm

46~80 CFM



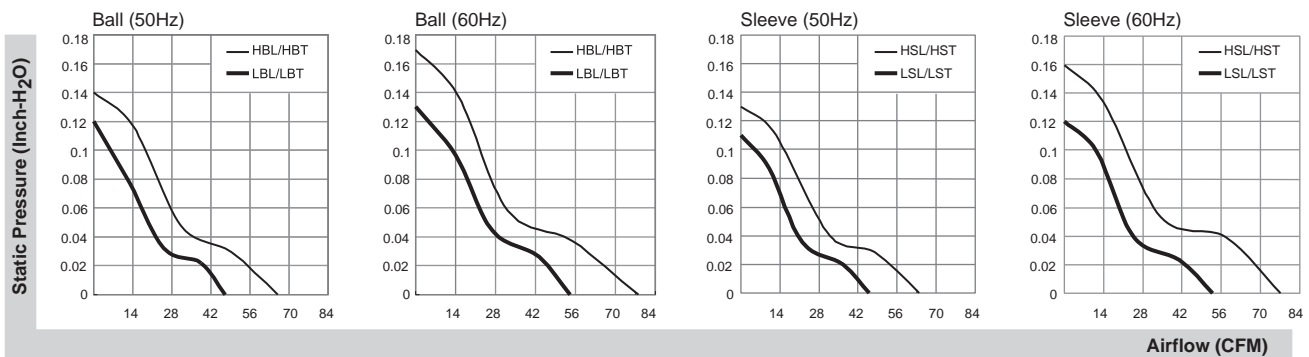
■ Specifications

| Model | P/N | Bearing | Rating Voltage | Freq. | Power Current | Power Consumption | Speed | Air Flow | Static Pressure | Noise | Weight |
|---------|------------|------------------------------|----------------|-------|---------------|-------------------|-----------|----------|-------------------------|---------|--------|
| | | ● VAPO ○ BALL ○ Sleeve | (VAC) | (Hz) | (AMP) | (WATTS) | (RPM) | (CFM) | (Inch-H ₂ O) | (dB(A)) | (g) |
| SP101AT | 1122HSL.GN | ● | 115 | 50/60 | 0.21/0.19 | 19/18 | 2000/2300 | 64/78 | 0.13/0.16 | 43/46 | 330 |
| SP101AT | 1122HST.GN | ● | 115 | 50/60 | 0.21/0.19 | 19/18 | 2000/2300 | 64/78 | 0.13/0.16 | 43/46 | 330 |
| SP103AT | 1122LSL.GN | ● | 115 | 50/60 | 0.14/0.13 | 14/13 | 1600/1800 | 46/53 | 0.11/0.12 | 35/38 | 330 |
| SP103AT | 1122LST.GN | ● | 115 | 50/60 | 0.14/0.13 | 14/13 | 1600/1800 | 46/53 | 0.11/0.12 | 35/38 | 330 |
| SP101AT | 1122HBL.GN | ○ | 115 | 50/60 | 0.21/0.19 | 19/18 | 2150/2500 | 66/80 | 0.14/0.17 | 44/48 | 330 |
| SP101AT | 1122HBT.GN | ○ | 115 | 50/60 | 0.21/0.19 | 19/18 | 2150/2500 | 66/80 | 0.14/0.17 | 44/48 | 330 |
| SP103AT | 1122LBL.GN | ○ | 115 | 50/60 | 0.12/0.11 | 12.5/11.5 | 1700/1900 | 47/54 | 0.12/0.13 | 37/40 | 330 |
| SP103AT | 1122LBT.GN | ○ | 115 | 50/60 | 0.12/0.11 | 12.5/11.5 | 1700/1900 | 47/54 | 0.12/0.13 | 37/40 | 330 |

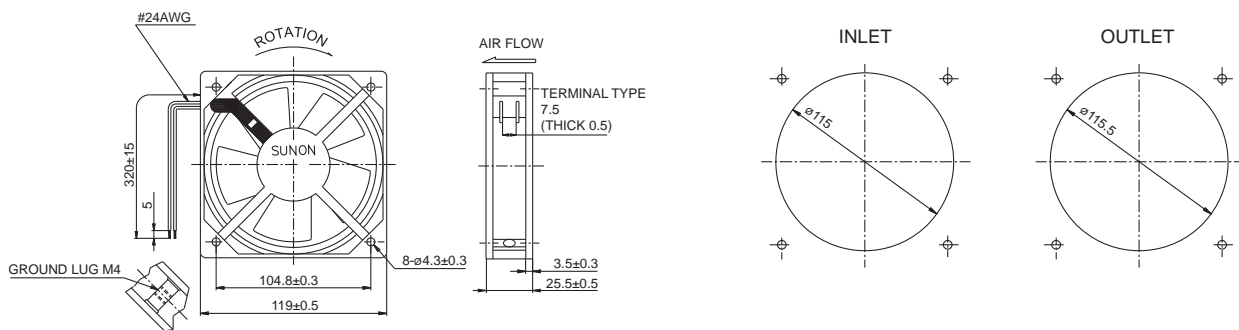
Frame : Aluminum alloy

Safety : UL-CUL/TUV NORD/CE/CCC/BSMI

■ Air Flow-Static Pressure Characteristics



■ External dimensions(mm)



*All model could be customized. Please contact with Sunon Sales.

*Specifications are subject to change without notice. Please Visit SUNON website at <http://www.sunon.com> for update information.