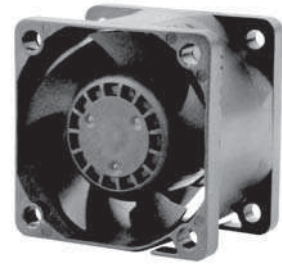


40x40x28 mm

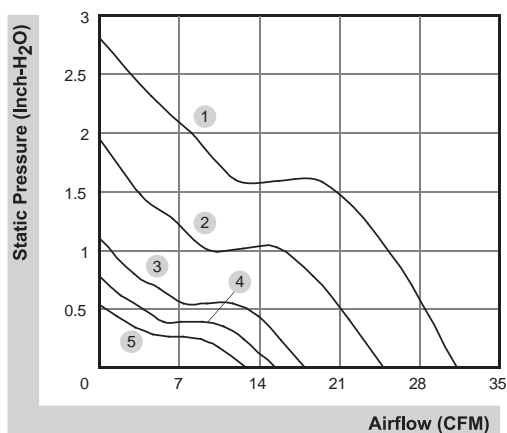
12.8~31.3 CFM



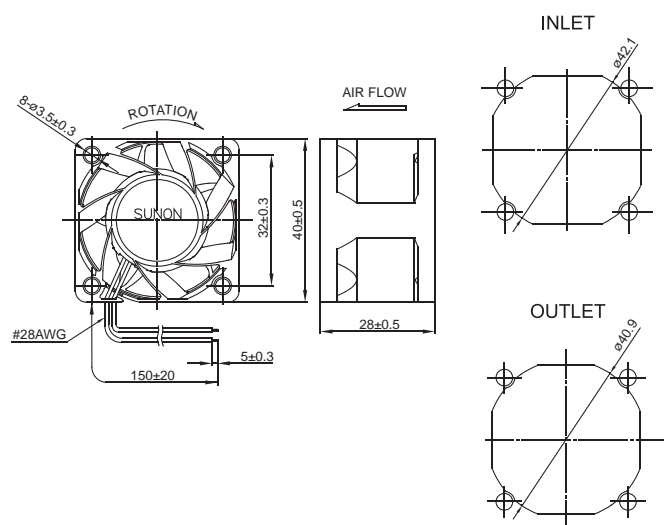
■ Specifications

Model	Bearing	Rating Voltage	Power Current	Power Consumption	Speed	Air Flow	Static Pressure	Noise	Weight	Curve
	2BALL Sleeve	(VDC)	(mA)	(WATTS)	(RPM)	(CFM)	(Inch-H ₂ O)	(dB(A))	(g)	
PF40281BX-000U-A99	☉	12	900	10.80	22000	31.3	2.81	66.6	42.0	1
PF40281B1-000U-A99	☉	12	510	6.12	17600	24.9	1.95	58.8	42.0	2
PF40281B2-000U-A99	☉	12	246	2.96	13000	18.0	1.10	50.7	45.0	3
PF40281B3-000U-A99	☉	12	162	1.95	11000	15.4	0.78	45.9	45.0	4
PF40281B4-000U-A99	☉	12	116	1.40	9200	12.8	0.54	41.9	45.0	5

■ Air Flow-Static Pressure Characteristics



■ External dimensions(mm)



*All model could be customized. Please contact with Sunon Sales.

*Specifications are subject to change without notice. Please Visit SUNON website at www.sunon.com for update information.