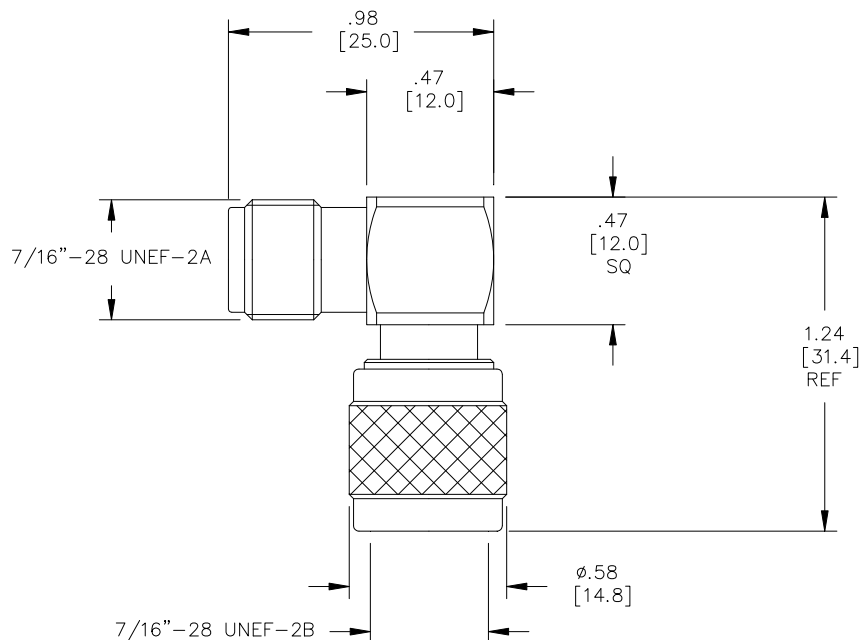


**Model 73053**  
**TNC Right-Angle Jack to Plug Adapter**



Model 73053  
TNC Right-Angle Jack to Plug Adapter

**Features**

- DC – 4GHz bandwidth.
- Connectors are precision machined.

**Materials**

Center Conductor:  
*Male:* Brass, Gold Plated  
*Female:* Phosphor Bronze, Gold Plated  
 Connector Body: Brass, Nickel Plated  
 Insulators: PTFE

**Specifications**

Impedance: 50Ω  
 Frequency Range: DC – 4GHz  
 Contact Resistance:  
     Center Conductor: ≤1.5 mΩ  
     Outer Conductor: ≤0.2 mΩ  
 Insulation Resistance: ≥ 5000 MΩ  
 Dielectric Withstand Voltage: 1500V  
*For CE compliance, do not hold in hand when voltages exceed 33 Vrms / 70 Vdc.*  
 Number of Insertions: 500 cycles minimum

**Ordering Information**

Model: **73053**

USA: Sales: 800-490-2361  
 Technical Support: [technicalsupport@pomonatest.com](mailto:technicalsupport@pomonatest.com)  
 Fax: 425-446-5844

Europe: 31-(0) 40 2675 150 International: 425-446-5500

Where to Buy: [www.pomonaelectronics.com](http://www.pomonaelectronics.com)

All dimensions are in inches. Tolerances (except noted): .xx = ±.02" (.51 mm), .xxx = ±.005" (.127 mm). All specifications are to the latest revisions. Specifications are subject to change without notice. Registered trademarks are the property of their respective companies.