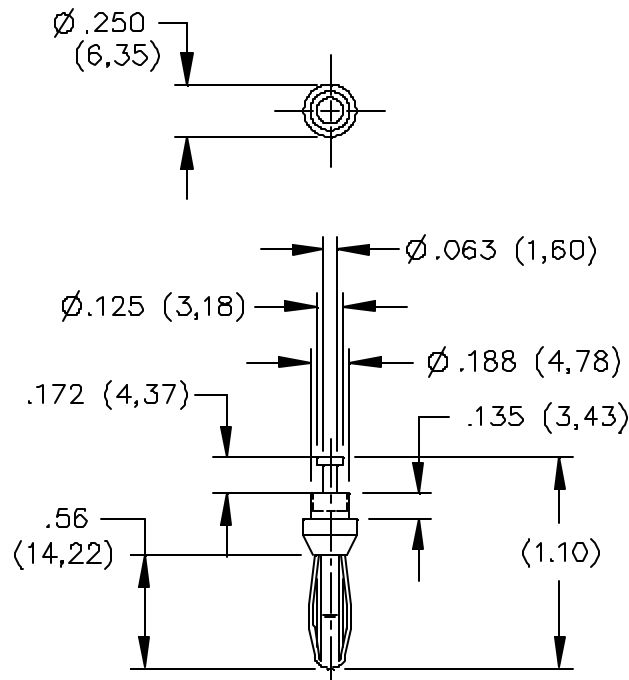


## Model 3261 Standard Rivet Type Banana Plug With Turret For 3/32" Thick Panel



### FEATURES:

- Excellent for riveting to panels or boards.
- Solder turret for rapid attachment of wires.
- Fits standard (.166 dia.) banana jack

### MATERIALS:

Banana Plug Body: Brass, Alloy 360, Annealed

Spring: Beryllium Copper, Berylco 25, Cond. H.T.

Finish: Nickel plated per QQ-N-290, Class 2, 200/300 microinches

### RATINGS:

Operating Voltage: 5000 VDC

Current: 15 Amperes

### ORDERING INFORMATION: Model 3261

Sold in packages of 10

All dimensions are in inches. Tolerances (except noted): .xx =  $\pm .02$ " (.51 mm), .xxx =  $\pm .005$ " (.127 mm).

All specifications are to the latest revisions. Specifications are subject to change without notice.

Registered trademarks are the property of their respective companies.

Made in USA