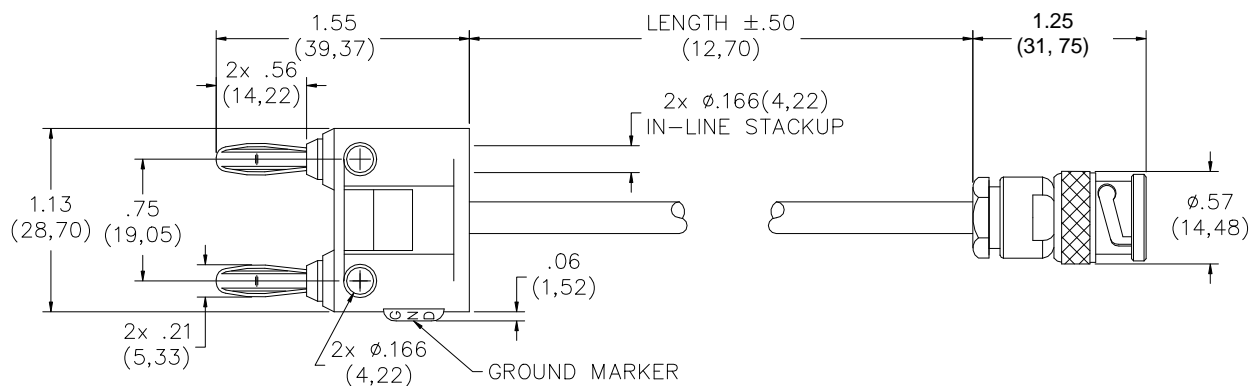


## Model 2BC-BNC BNC Male to Multi-Stacking Double Banana Plug

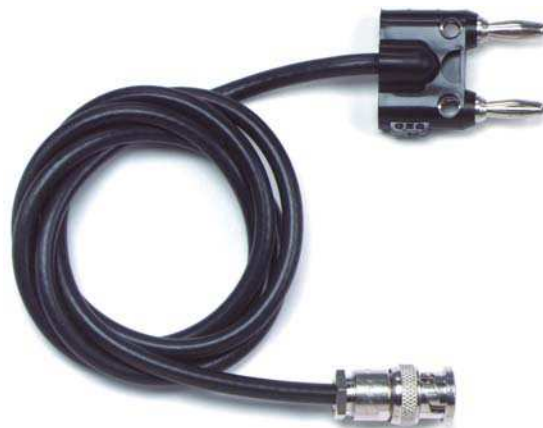


### Features

- Cable allows interconnection between Banana Plug and BNC based test instruments.
- Cable is shielded to reduce the effect of signal leakage or noise interference.
- BNC connector center contact is gold plated and the dielectric is PTFE for superior performance.
- Double Banana Plug is molded directly to the cable for superior cable strength.
- Double Banana Plug features nickel plated Beryllium Copper springs for tarnish resistance and long insertion life.
- Double Banana Plug has vertical and horizontal stacking capabilities for test versatility.
- Schematic: Banana Plug ground to BNC shell, Banana Plug non-ground to BNC center contact.

### Materials

- BNC male:** Body – Brass, Nickel Plated  
Center Contact – Brass, Gold Plated  
Impedance – 50 Ohm
- Cable:** Type – RG58C/U  
Impedance – 50 Ohm  
Capacitance – 30.8 pF/Ft.  
O.D. – .195" (5,0mm) Nom.  
Markings – "POMONA 2BC-BNC-36"
- Double Banana Plug:** Body – Brass, Nickel Plated  
Spring – Beryllium Copper, Nickel Plated  
Insulation – Polypropylene, Color: Black



### Specifications

- Voltage:** For *CE Compliance* and personal safety, do not hold in hand when voltages exceed 30 Vac / 60 Vdc.  
Maximum voltage for *hands free use* in controlled testing environments: 500 Vrms Max.
- Operating Temperature:** +55°C (+131°F) Max.

### Ordering Information

- Model: 2BC-BNC-XX  
XX = Length in Inches, Standard Length: 36" (91,44cm)  
Additional lengths can be quoted upon request.

**USA:** Sales: 800-490-2361  
Technical Support: [technicalsupport@pomonatest.com](mailto:technicalsupport@pomonatest.com)  
Fax: 425-446-5844

**Europe:** 31-(0) 40 2675 150 **International:** 425-446-5500  
**Where to Buy:** [www.pomonaelectronics.com](http://www.pomonaelectronics.com)

All dimensions are in inches. Tolerances (except noted): .xx = ±.02" (.51 mm), .xxx = ±.005" (.127 mm). All specifications are to the latest revisions. Specifications are subject to change without notice. Registered trademarks are the property of their respective companies.