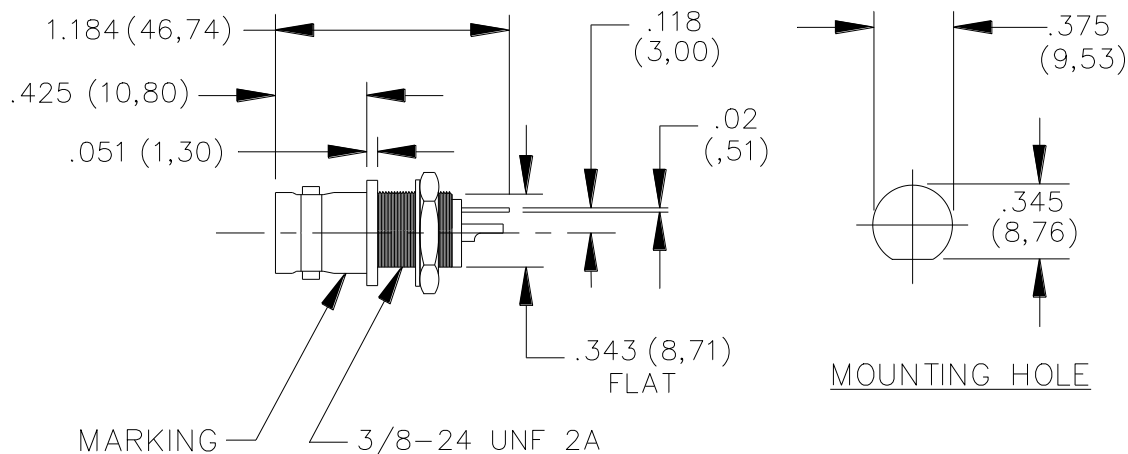


Model 5148
BNC (Female) Bulkhead Receptacle, Isolated Ground



Features

- Valox Insulation
- Mounting hardware is isolated from outer conductor of BNC, internal tooth lockwasher, and hex nut

Materials

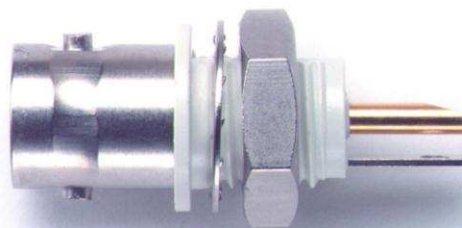
Body: Brass, Tarnish Resistant Plating
Center Contact: Gold Plated Beryllium Copper
Marking: "Pomona 5148" (optional)

Ratings

Nominal Impedance: 50 Ohm

Ordering Information

Model 5148



USA: Sales: 800-490-2361
Technical Support: technicalsupport@pomonatest.com
Fax: 425-446-5844
Europe: 31-(0) 40 2675 150 **International:** 425-446-5500
Where to Buy: www.pomonaelectronics.com

All dimensions are in inches. Tolerances (except noted): .xx = ±.02" (.51 mm), .xxx = ±.005" (.127 mm). All specifications are to the latest revisions. Specifications are subject to change without notice. Registered trademarks are the property of their respective companies.