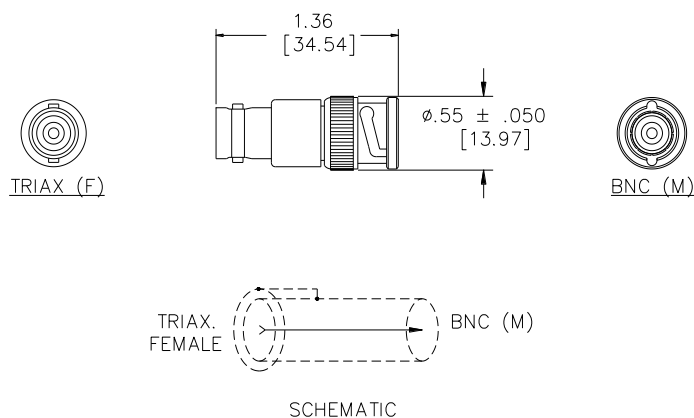


Model 5298
Triaxial 2 Lug (F) To BNC (M) Adapter

Model 5298
Triaxial 2 Lug (F) To BNC (M) Adapter



Features

- Converts instruments with BNC inputs to triaxial, 2 lug for better shield performance
- Triaxial center and intermediate contacts are gold plated, Beryllium Copper for long insertion cycle life and low contact resistance
- Adapter outer shell has tarnish resistant plating

Materials

Outer Shell: Nickel plated Brass

Contacts (Triaxial):

Center: Gold plated Beryllium Copper

Intermediate: Gold plated Beryllium Copper

Outer Contact: Tarnish resistant brass

BNC: Nickel plated brass

Marking: "POMONA ELECT. 5298" (optional)

Ratings

Voltage: For *CE compliance* and for personal safety, do not hold in hand when voltages exceed 30 Vrms/60 Vdc.

Maximum voltage for *hands free use* in controlled testing environments: 500 Vdc

Do not use on circuits where transient stresses can exceed the rated voltage.

Frequency Range: DC to 500 MHz.

Ordering Information

Model: 5298

BNC (M)/2 LUG TRIAXIAL (F)

USA: Sales: 800-490-2361
Technical Support: technicalsupport@pomonatest.com
Fax: 425-446-5844

Europe: 31-(0) 40 2675 150 **International:** 425-446-5500
Where to Buy: www.pomonaelectronics.com

All dimensions are in inches. Tolerances (except noted): .xx = $\pm .02$ " (.51 mm), .xxx = $\pm .005$ " (.127 mm). All specifications are to the latest revisions. Specifications are subject to change without notice. Registered trademarks are the property of their respective companies.