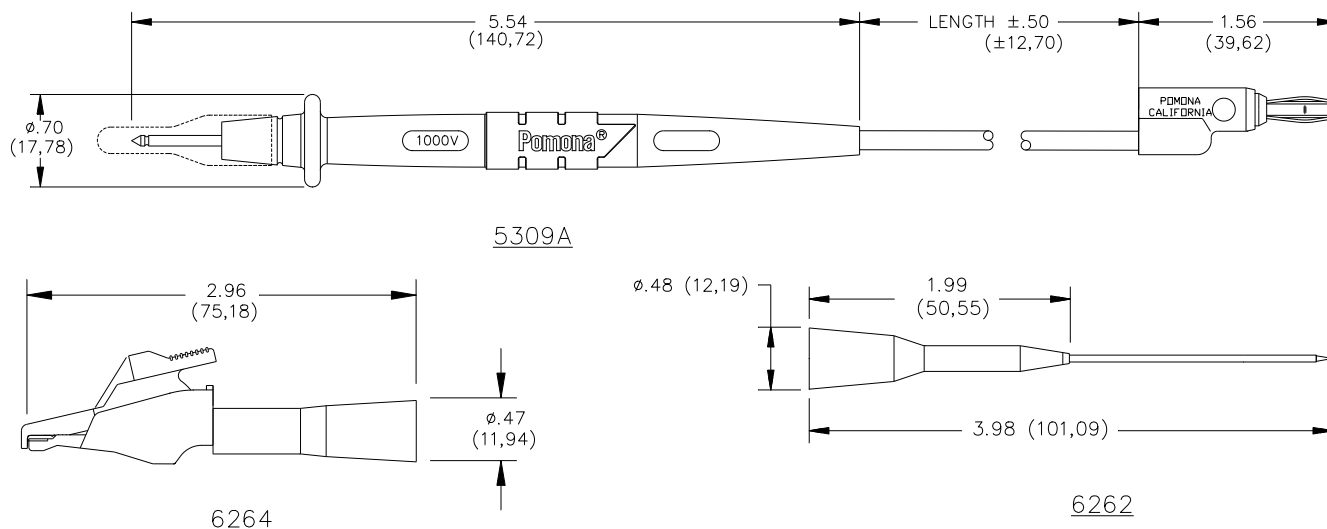


**Model 5325A**  
**DMM Test Probe to Multi-Stacking Banana Plug Kit**



**FEATURES**

- Fits Fluke, H-P, Tektronix Wavetek and Amprobe meters configured with non-sheathed standard and 4 mm banana jacks.
- Test probe & banana plug bodies are molded directly to a flexible 48" (122 cm) high strand count/high temperature silicone leads for added pull strength, overall probe length 4.85" (12,3 cm).
- Wear indication with double insulated (dual extruded) silicone leads shows white inner layer for increased safety.
- Nickel plated brass tip offers high conductivity for precision measurements.
- Medium alligators are insulated for added safety and can quickly snap onto the .080" (2,03 mm) O.D. probe tip.
- Medium alligators have an overall length of 2.25" (5.7 cm) and grip up to 0.30" (7.62 mm) O.D. terminals.
- Slide-on extended tips have an overall length of 4" (10.16 cm) & attaches to the probe tip to allow access to hard to reach test points. The Extended Tip is insulated to the point to prevent accidental shorting.



**USA:** Sales: 800-490-2361  
 Technical Support: [technicalsupport@pomonatest.com](mailto:technicalsupport@pomonatest.com)  
 Fax: 425-446-5844  
**Europe:** 31-(0) 40 2675 150 **International:** 425-446-5500  
**Where to Buy:** [www.pomonaelectronics.com](http://www.pomonaelectronics.com)

All dimensions are in inches. Tolerances (except noted): .xx = ±.02" (.51 mm), .xxx = ±.005" (.127 mm). All specifications are to the latest revisions. Specifications are subject to change without notice. Registered trademarks are the property of their respective companies.

**Model 5325A**  
**DMM Test Probe To Multi-Stacking Banana Plug Kit****MATERIALS**

Model **5309A**: Test Probe Set:

Probe body: Polypropylene, Fire Retardant – Santoprene® overmold., Tip: Brass

Wire: 18 AWG, 192 x 41 bare copper, Silicone Insulation, O.D. 0.144" (3,66mm). Length: 48" (122cm)

Banana Plug: Insulation: Polypropylene – Plug Body: Brass Nickel Plated, Spring: Beryllium Copper, Nickel Plated

**RATINGS:**

Operating Voltage: For CE compliance and personal safety, do not hold in hand when voltages exceed 30 Vrms/42.4 Vpk/60 Vdc or current exceeds 8A maximum. Maximum voltage for hands free use: 1000 V. Do not use on circuits where transient stresses can exceed the rated voltage.

Current: 10 Amperes

Model **6262**: Slide-on Extended Tip:

Insulation – Polypropylene UL94 V-2, Color: one black and one red

Probe Tip: Stainless Steel with Kynar Insulation Sleeve to Tip End

**RATINGS:** CAT II 300 V, Current: 3 Amperes

Model **6264**: Alligator Adapter:

Insulation: Polypropylene, Color: One Black, One Red

Body: Steel, Nickel Plated, Spring: Music Wire

**RATINGS:** CAT I 300 V, Current: 5 Amperes

**Ordering Information:** Model 5325A

Kit shipped in a plastic blister package.

Replacement P/N's:

- Model **5309A**: Test Probes, set of one black and one red
- Model **6262**: Slide-on Extended Tip, set of one black and one red
- Model **6264**: Alligator Adapter, set of one black and one red.