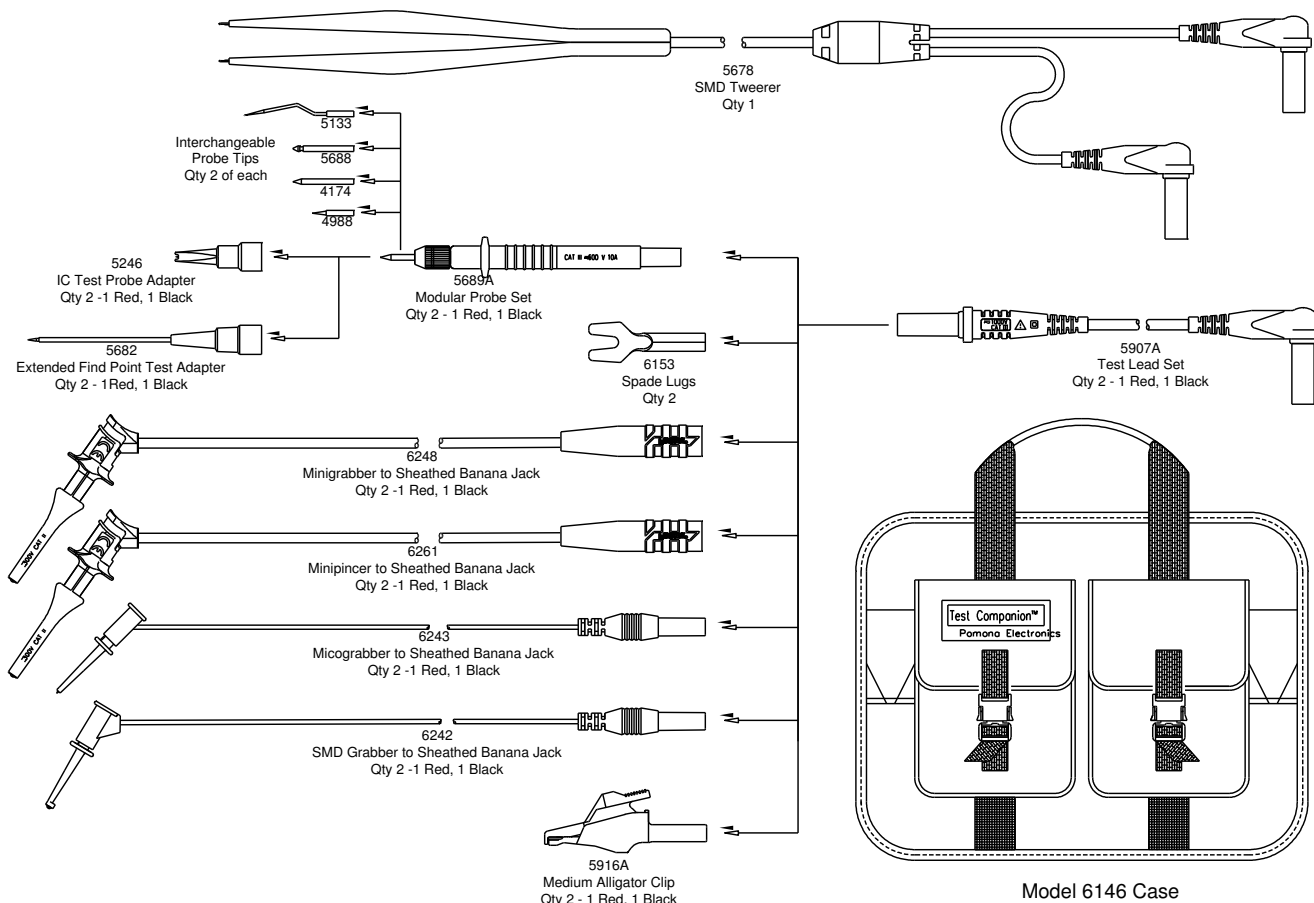


**Model 6345
Deluxe Electronic Test Companion Kit**



For data sheets / specifications of the kit individual components, visit the Pomona web site at:
www.pomonaelectronics.com

FEATURES

- Test leads with a right angle banana plug are ideal for use with hand held digital multimeter.
- Flexible test leads feature high strand count silicone wire for extreme flexibility and high temperature resistance.
- Wear indication with double insulated (dual extruded) silicone leads shows white inner layer for increased safety.
- Banana plugs are molded directly to the wire for superior pull strength.
- Test probe body, alligator, spade lug and test clips attach directly to test leads for testing versatility.
- Test Probe with interchangeable tips.
- Test accessories conveniently store in the shoulder-pack with carrying strap.
- Compatible with most multimeters that accept safety style sheathed banana plugs.

USA: Sales: 800-490-2361
Technical Support: technicalsupport@pomonatest.com
Fax: 425-446-5844

Europe: 31-(0) 40 2675 150 **International:** 425-446-5500
Where to Buy: www.pomonaelectronics.com

All dimensions are in inches. Tolerances (except noted): .xx = ±.02" (.51 mm), .xxx = ±.005" (.127 mm). All specifications are to the latest revisions. Specifications are subject to change without notice. Registered trademarks are the property of their respective companies.