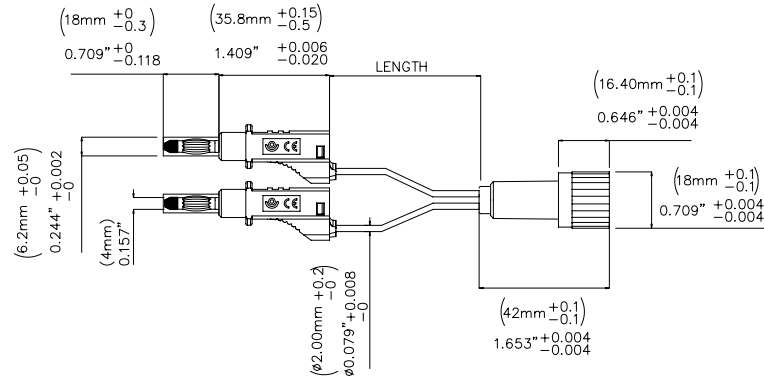


**Models 72908**

**IEC Insulated BNC (M) to stackable/retractable**



**Features**

- IEC Insulated BNC (M) to stackable/retractable 4 mm plugs
- Length 10in (25cm)

**Materials**

- Connector body: Nickel plated Brass
- Center Contact: Gold Plated Brass
- Dielectric: White PTFE
- Plug spring: Nickel plated bronze Beryllium copper.
- Plug Body: Nickel plated Brass
- Insulation: Nylon
- Wire: Silicone

**Specifications**

Max Temperature	85°
Max Current	6A
Max Voltage	30 V AC / 70 V DC

**Rating:** *hands free testing* in controlled environment: 70Vrms max. For CE compliance: Not intended for hand-held use at voltages above 33Vrms/70Vdc

**Ordering Information**

Model: 72908

**USA:** Sales: 800-490-2361 Technical Support: 800-241-2060 Fax: 888-403-3360

**Europe:** 31-(0) 40 2675 150 **International:** 425-446-5500

**e-mail:** [technicalsupport@pomonatest.com](mailto:technicalsupport@pomonatest.com)

**Where to Buy:** [www.pomonaelectronics.com](http://www.pomonaelectronics.com)

All dimensions are in inches. Tolerances (except noted): .xx = ±.02" (.51 mm), .xxx = ±.005" (.127 mm). All specifications are to the latest revisions. Specifications are subject to change without notice. Registered trademarks are the property of their respective companies.