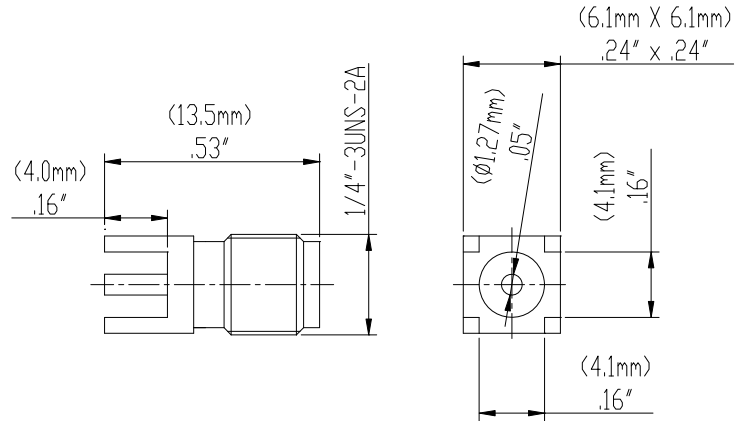


**Model 72963  
SMA JACK STRAIGHT PCB RECEPTACLE**



Model 72963 SMA JACK STRAIGHT PCB RECEPTACLE

High bandwidth, small size, and durability for confident connections.

**Features**

- DC - 18 GHz
- Meets MIL-C-39012, IEC 169-15, CECC 22110.
- Small size and durability for mobile communications.
- Precision machined and gold-plated for low loss.

**Materials**

- Body is machined brass with gold plating.
- Center Contacts - Plug is gold plated brass and Jack is gold plated Beryllium copper.
- Insulators are high quality PTFE.
- Crimp Ferrules are copper with gold or nickel plating.

**Specifications**

Impedance	50 Ω
Frequency Range	DC - 18 GHz
Working Voltage	< 500 V <sub>peak</sub>
Dielectric Withstanding Voltage	1,000 V <sub>rms</sub>
VSWR	1.25 max.
Center/Outer Contact Resistance	0.003/0.002 Ω max
Insulation resistance	> 5000 MΩ
Number of Insertions	500 cycles minimum
Temperature Range	-65° C to 165° C, -85° F to 329° F

**Ordering Information**

Model: 72963

Description: SMA JACK STRAIGHT PCB RECEPTACLE

USA: Sales: 800-490-2361  
 Technical Support: [technicalsupport@pomonaest.com](mailto:technicalsupport@pomonaest.com)  
 Fax: 425-446-5844

Europe: 31-(0) 40 2675 150 International: 425-446-5500

Where to Buy: [www.pomonaelectronics.com](http://www.pomonaelectronics.com)

All dimensions are in inches. Tolerances (except noted): .xx = ±.02" (.51 mm), .xxx = ±.005" (.127 mm). All specifications are to the latest revisions. Specifications are subject to change without notice. Registered trademarks are the property of their respective companies.