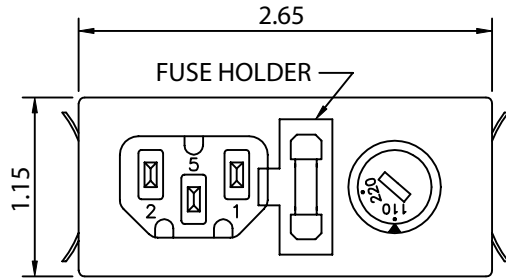


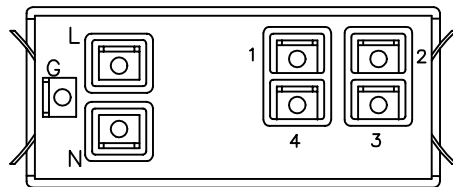
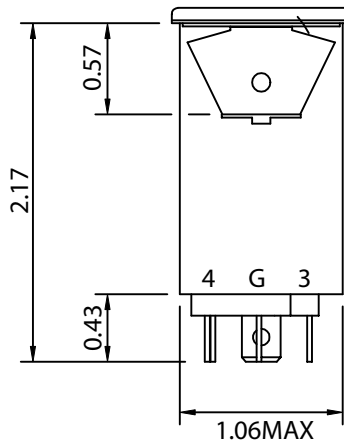
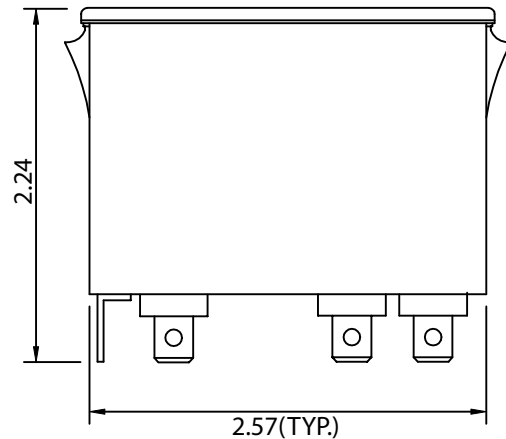
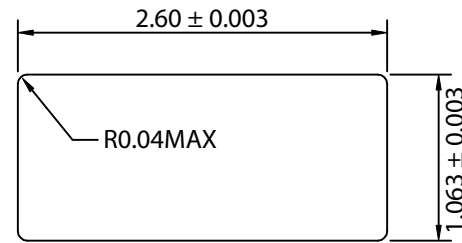
THESE DRAWINGS ARE THE PROPERTY OF QUALTEK ELECTRONICS AND NOT TO BE REPRODUCED FOR OR COMMUNICATED TO A THIRD PARTY WITHOUT THE EXPRESS WRITTEN PERMISSION OF AN OFFICER OF QUALTEK ELECTRONICS.

PHYSICAL DIMENSIONS:

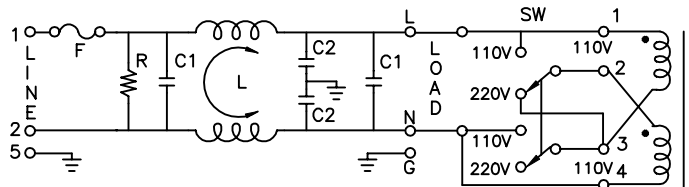


* SUGGESTED THICKNESS OF MOUNTING PANEL IS FROM 0.04 TO 0.07 INCH

* SUGGEST MOUNTING CUTOUT



SCHEMATIC:



L: 1.3mH
 C1: 0.1uF
 C2: 3300pF
 R: 2.2MΩ

REVISION			
REV.	DESCRIPTION	DATE	APPROVED
B	RoHS Compliancy	06-01-06	DP

ELECTRICAL CHARACTERISTICS:

- 1-1. VOLTAGE RATING.....115/250VAC
- 1-2. CURRENT RATING
 A. @ 115V VAC6 A RMS MAX
 B. @ 250 VAC6 A RMS MAX
- 1-3. OPERATING FREQUENCY.....50/60Hz
- 1-4. LEAKAGE CURRENT: EACH LINE TO GROUND
 A. @ 115 VAC 60Hz.....0.25 mA MAX
 B. @ 250 VAC 50Hz.....0.45 mA MAX
- 1-5. HIPOT RATING (FOR ONE MINUTE)
 A. LINE TO GROUND.....2250 VDC
 B. LINE TO LINE.....1450 VDC
- 1-6. MINIMUM INSERTION LOSS IN dB: (AT 50 OHM SYSTEM)

FREQ. MHz	.01	.05	.10	.15	.50	1.0	5.0	10	30
COM. MODE db	/	/	15	16	25	30	42	45	40
DIF. MODE db	/	/	6	6	30	48	40	40	40

- 1-7. OPERATING TEMPERATURE.....-25° TO +85° C
- 1-8. SAFETY:
- 1-9. RoHS COMPLIANT

CONTROLLED

Dim range (mm)	Tolerance +/- (mm)	Qualtek Electronics Corp. PPC DIVISION		
		Part Number: 862-06/007		
0-1	0.15	Description: MULTI-FUNCTION MODULE FILTER		
1-6	0.20			
6-18	0.30	UNIT: in	REV. B	
18-50	0.50		Approved / Date	
50-120	0.70	Drawn / Date	Checked / Date	Approved / Date
120-250	0.90	B.ZHANG 01-16-03	01-16-03	JJH / 01-16-03
250-500	1.20			