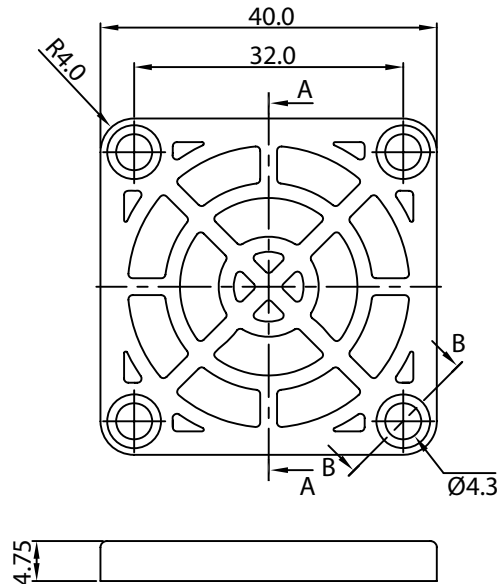


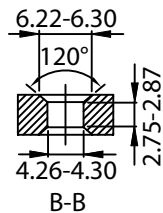
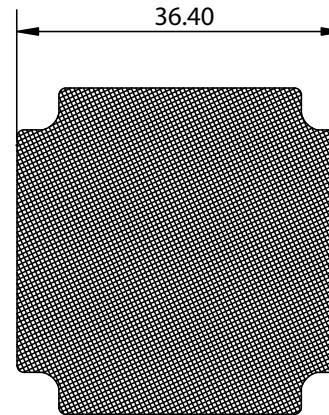
THESE DRAWINGS ARE THE PROPERTY OF QUALTEK ELECTRONICS AND NOT TO BE REPRODUCED FOR OR COMMUNICATED TO A THIRD PARTY WITHOUT THE EXPRESS WRITTEN PERMISSION OF AN OFFICER OF QUALTEK ELECTRONICS.

REVISION			
REV.	DESCRIPTION	DATE	APPROVED
B	RoHS Compliancy	06-01-06	DP
C	Updated Graphics	01-13-10	LY

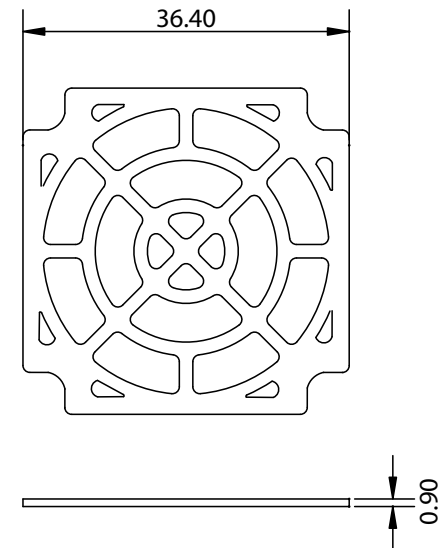
### FAN GUARD



### MEDIA



### RETAINER



#### NOTES:

MEDIA\* AVAILABLE IN:

XX=30 PPI \*\*

45 PPI \*\*

60 PPI \*\*

100 PPI \*\*

\* UL 900 CLASS II

\*\* Pores Per Inch

RoHS COMPLIANT

**CONTROLLED**

Dim range (mm)		Tolerance +/- (mm)	Qualtek Electronics Corp. FAN-S DIVISION		
0-5		0.1	Part Number: 09150-F/XX <span style="border: 1px solid green; padding: 2px;">RoHS Compliant</span>		
5-16		0.15	Description: PLASTIC FAN FILTER ASSEMBLY		
16-64		0.2	UNIT: mm		REV: C
64-250		0.4	Checked / Date		Approved / Date
250-1000		0.5	B. ZHANG 10-17-03		JJH / 10-17-03
1000-1500		1.0	10-17-03		