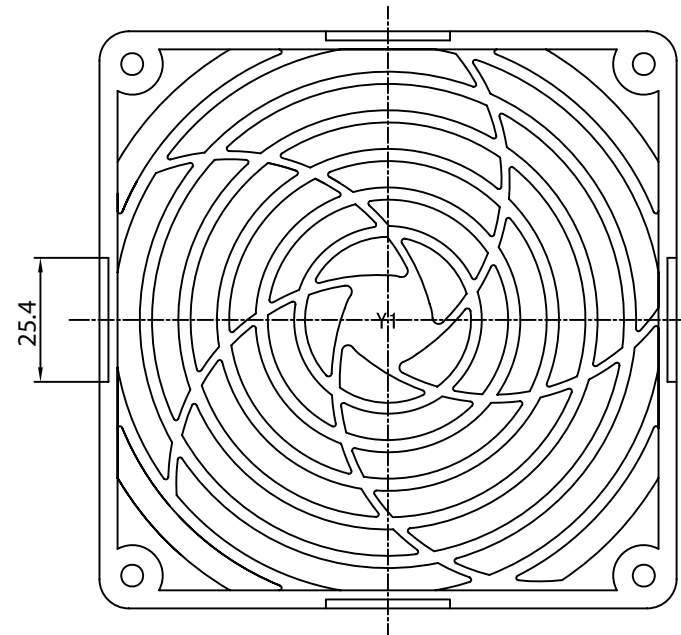
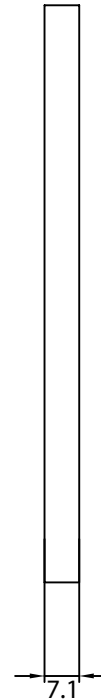
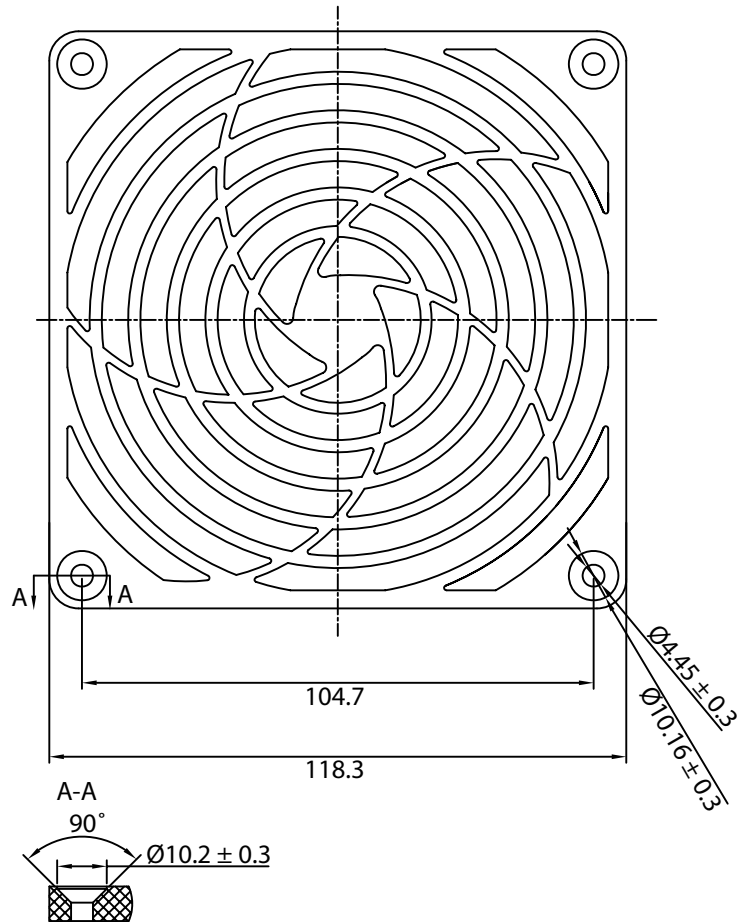


THESE DRAWINGS ARE THE PROPERTY OF QUALTEK ELECTRONICS AND NOT TO BE REPRODUCED FOR OR COMMUNICATED TO A THIRD PARTY WITHOUT THE EXPRESS WRITTEN PERMISSION OF AN OFFICER OF QUALTEK ELECTRONICS.

REVISION			
REV.	DESCRIPTION	DATE	APPROVED
B	RoHS Compliancy	06-01-06	DP
C	Updated Graphics and Dimensions	05-21-10	LY
D	Material Update	04-15-13	LY



**CONTROLLED**

NOTES:

MATERIAL: PC 2805  
UL94V-2  
RoHS COMPLIANT

Dim range (mm)	Tolerance +/- (mm)	Qualtek Electronics Corp. FAN-S DIVISION		
		Part Number:	09450-G	<span style="border: 1px solid green; padding: 2px;">RoHS Compliant</span>
0-5	0.1	Description: PLASTIC FAN GUARD		
5-16	0.15		UNIT: mm	REV: D
16-64	0.2		Checked / Date	Approved / Date
64-250	0.4	Drawn / Date	10-10-03	JJH / 10-10-03
250-1000	0.5	B.ZHANG 10-10-03	10-10-03	
1000-1500	1.0			