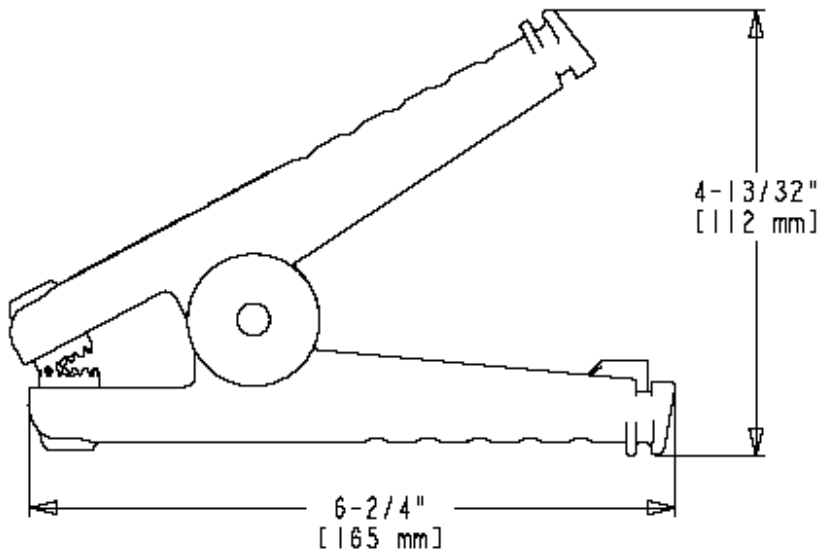
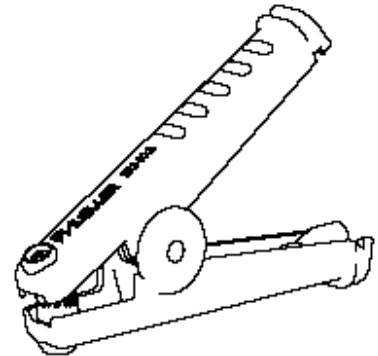
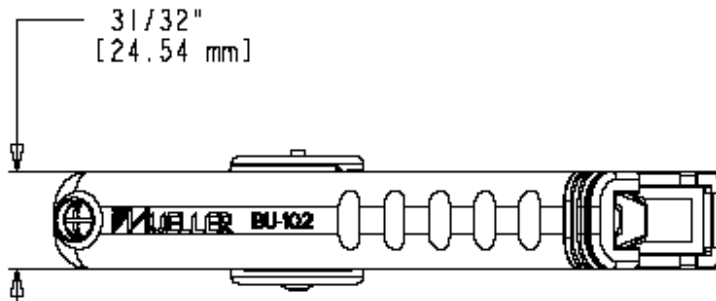




**Part Number:** BU-102W-\*  
**Description:** Insulated Welding Clip

2907



- Insulated Welding Clip
- Fully insulated clip with serrated contact pad and braided copper shunt
- Material: Housing: glass-filled nylon; Jaw: copper;  
Spring: Music wire, zinc plated
- Length: 6.5"(165mm)
- \*Std. Colors: -0 Black -2 Red
- Rating: 400 Amps

---

*Mueller Electric Company  
1625 E. 31<sup>st</sup> Street  
Cleveland, Ohio 44114*

*ISO 9001:2000  
Over 95 Years Of Innovation  
[www.muellerelectric.com](http://www.muellerelectric.com)*

*TEL. 800-955-2629  
TEL. 216-771-5225  
FAX. 216-771-3068*