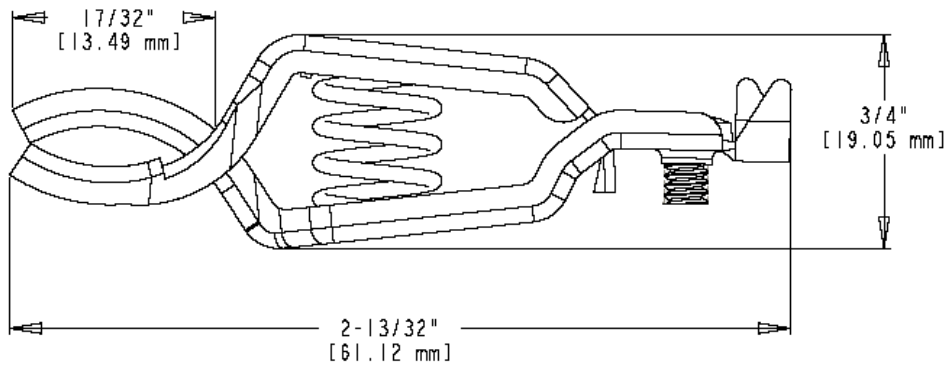
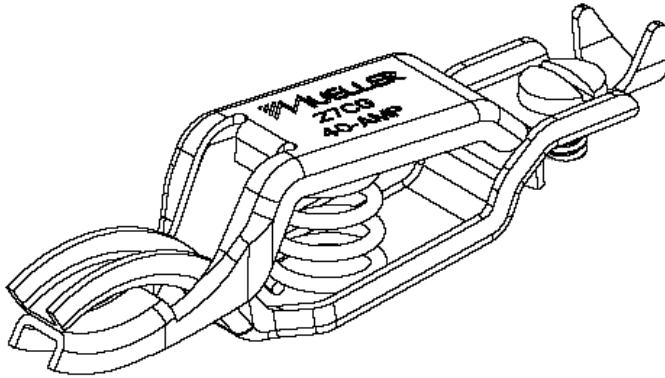




Part Number: BU-27CG/BU-27CGW
Description: Geophone Clip
3107



- Geophone Clip
- Crimp or screw connection
- Jaw opens 0.625" (16 mm) max ; curved jaws clip on to seismograph rings
- Material: solid copper ; Spring: steel
- Length: 2.4" (61.1mm)
- Rating: 40 Amps
- RoHS Compliant