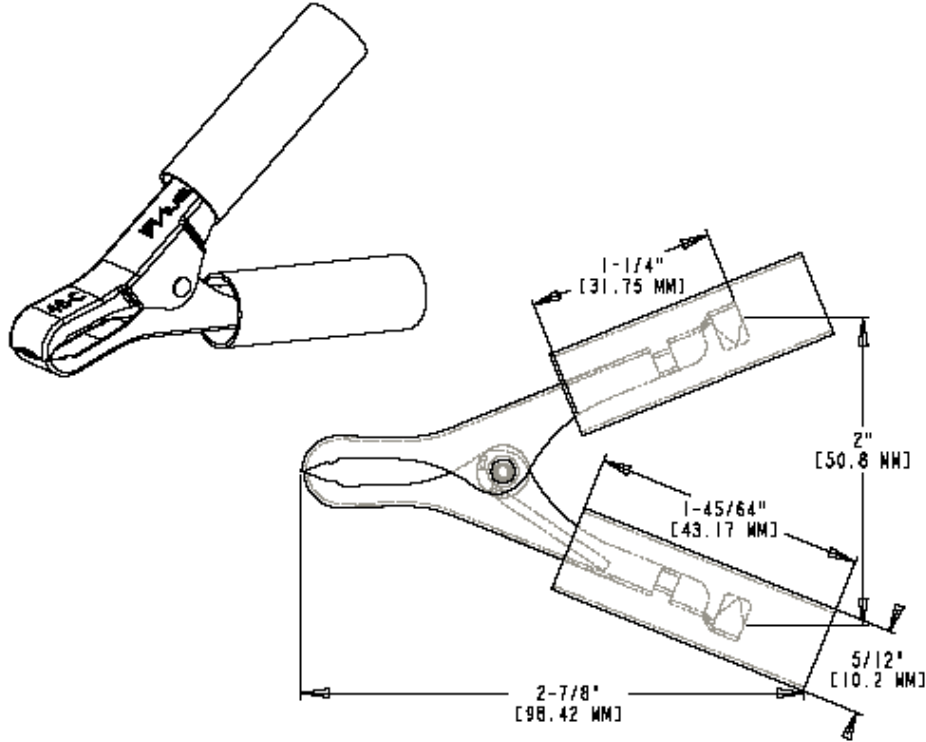




**Part Number:** BU-46A-\* /BU-46C-\*  
**Description:** Miniature Plier-Type Clip  
3507



- Miniature Plier-Type Clip
- Solder or crimp connection
- Jaw opens 1.125" (28.6 mm) max
- Material: copper-plated steel (BU-46A) or solid copper (BU-46C), PVC insulator (BU-46PR-\*)
- Length: 2.88" (98.42 mm)
- \*Std.Colors: Insulator (BU-46PR-\*) in -0 Black, -2 Red
- Rating: 50 Amps (BU-46A) or 75 Amps (BU-46C)
- RoHS Compliant