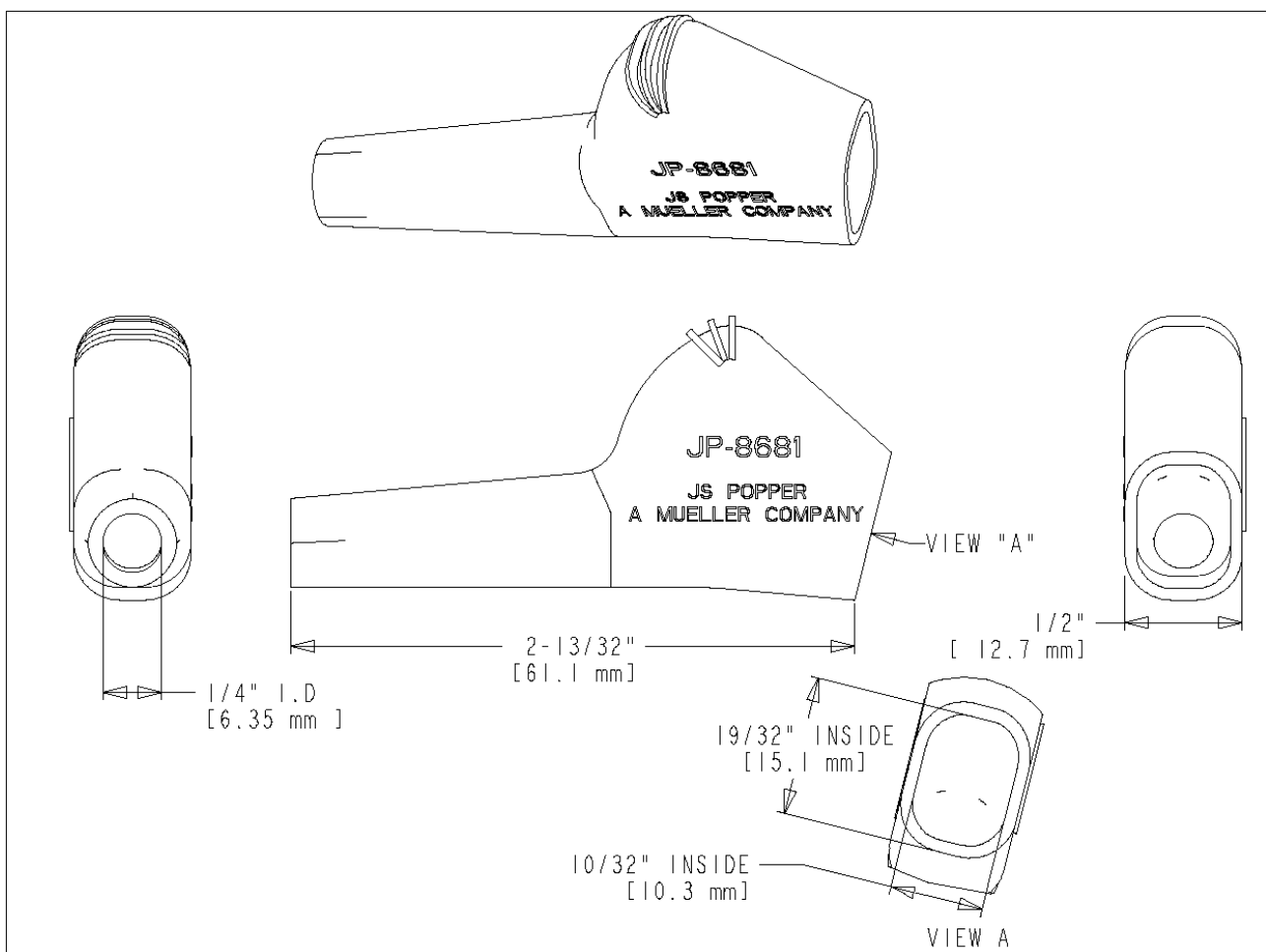




**Part Number:** JP-8681-\*

**Description:** Insulator for JS Popper Clips

4106



- Used to insulate clip from foreign objects
- Use with JP-8783, JP-33674, JP-33699, JP-25182, JP-8078, JP-8099, and JP-8701 series Clips
- Order as JP-8681-\*, where "\*" is the number of the color shown below:  
0=black, 2 =red, 4=yellow, 5=green, 6=blue, 9=white
- Material: High Quality, durable PVC
- Packaged in Bulk
- RoHS Compliant