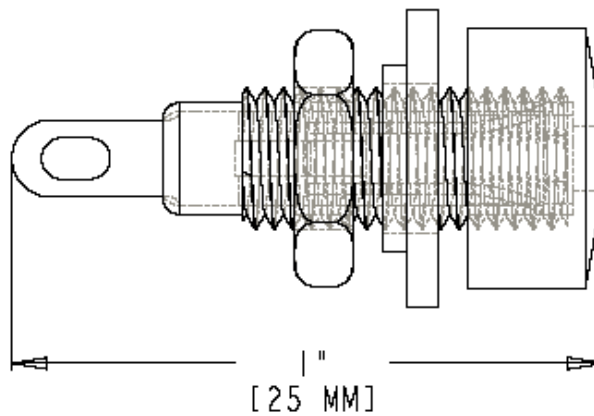
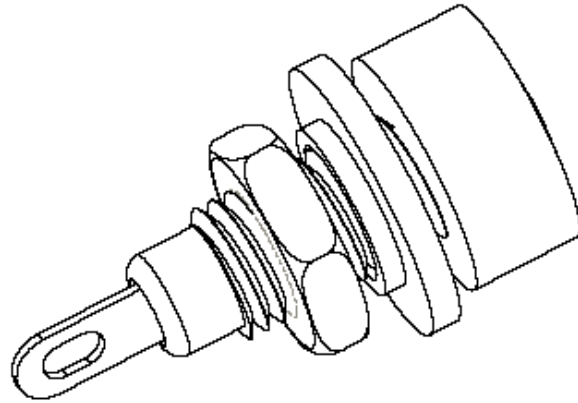




Part Number: BU-00234- *
Description: Insulated Phone Tip Jack
3507



- Insulated Phone Tip Jack
- Material: Banana Jack: nickel-plated brass body; Spring: nickel-plated phosphor bronze; Insulator: ABS
- Length: 1" (25 mm)
- *Std. Colors: -0 Black, -2 Red
- Rating: 15 Amps
- RoHS Compliant