



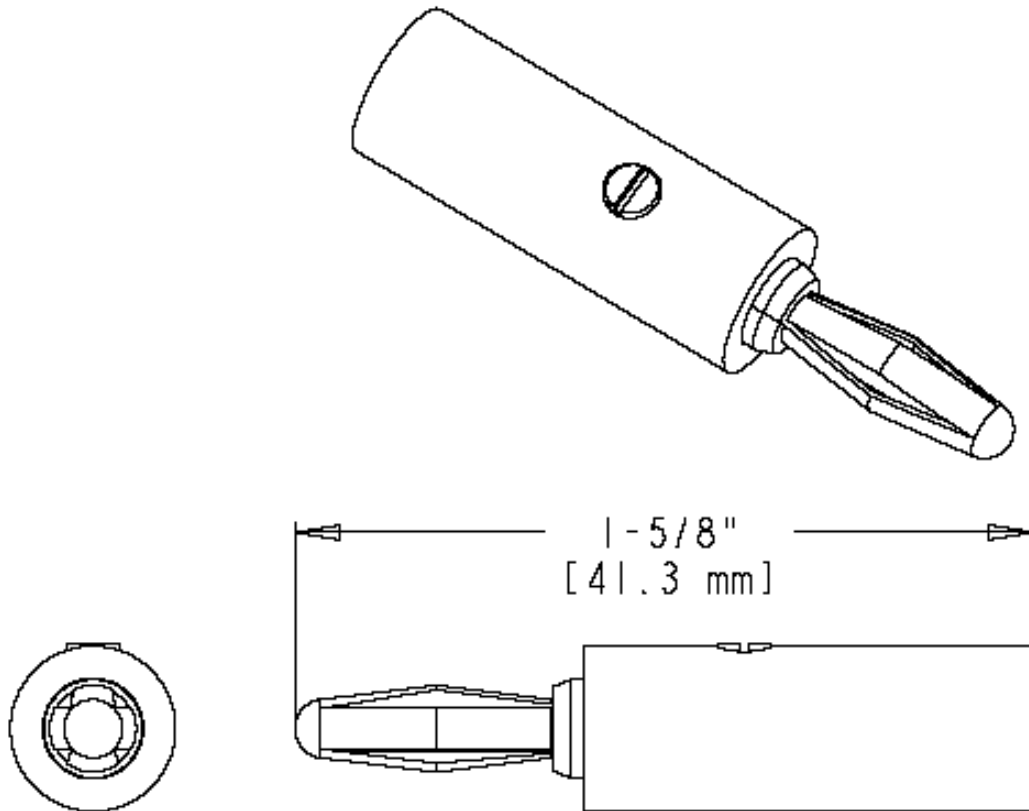
**Part Number:** BU-00245-\*

**Description:**

2907

**BU-00245-\***

**Set Screw Banana Plug**



- Set Screw Banana Plug
- Material: Banana Plug: nickel-plated brass body; Spring: nickel-plated phosphor bronze; Insulator: ABS
- Length: 1.62" (41.3mm)
- \*Std. Colors: -0 Black -2 Red
- Rating: 15 Amps