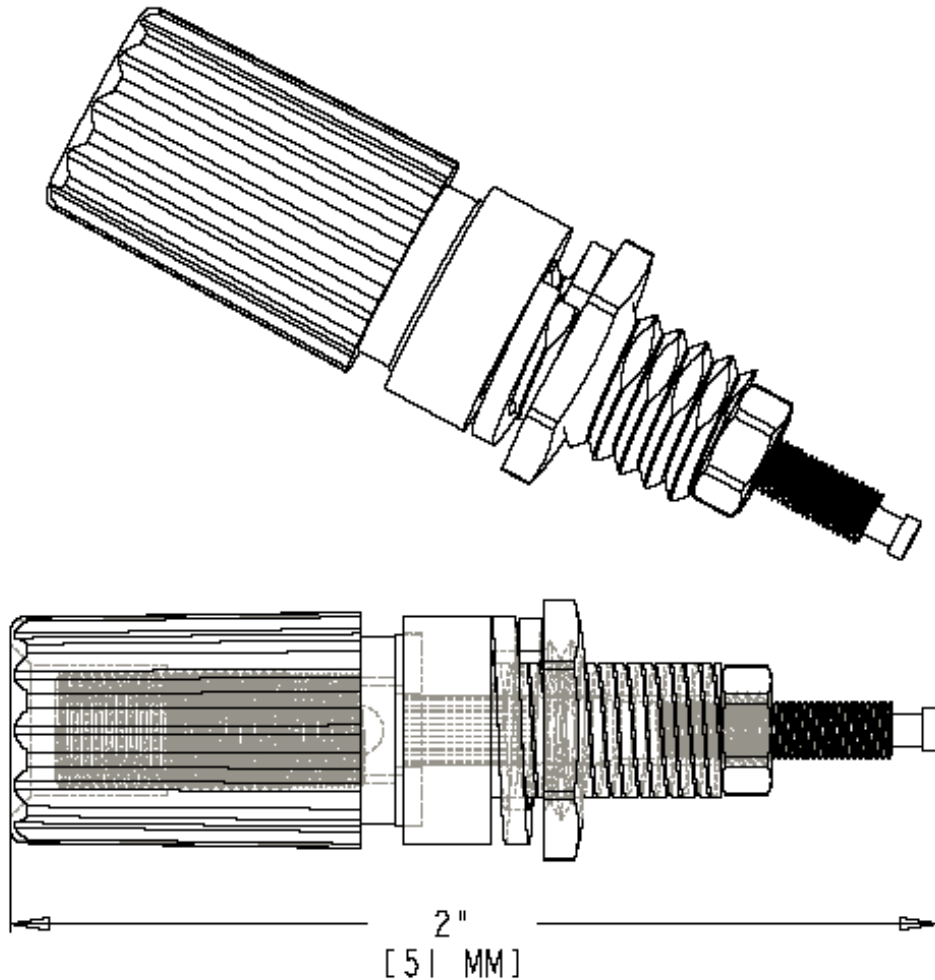




**Part Number:** BU-00281- \*  
**Description:** Slim-Line Five Way Binding Post-Threaded

3507



- Slim-Line Five Way Binding Post- Threaded
- Material: Post: nickel-plated brass; Insulator: nylon
- Length: 2" (51 mm)
- \*Std. Colors: -0 Black, -2 Red
- Rating: 15 Amps
- RoHS Compliant

*Mueller Electric Company*  
1625 E. 31<sup>st</sup> Street  
Cleveland, Ohio 44114

*ISO 9001:2000*  
Over 95 Years Of Innovation  
[www.muellerelectric.com](http://www.muellerelectric.com)

*TEL. 800-955-2629*  
*TEL. 216-771-5225*  
*FAX. 216-771-3068*