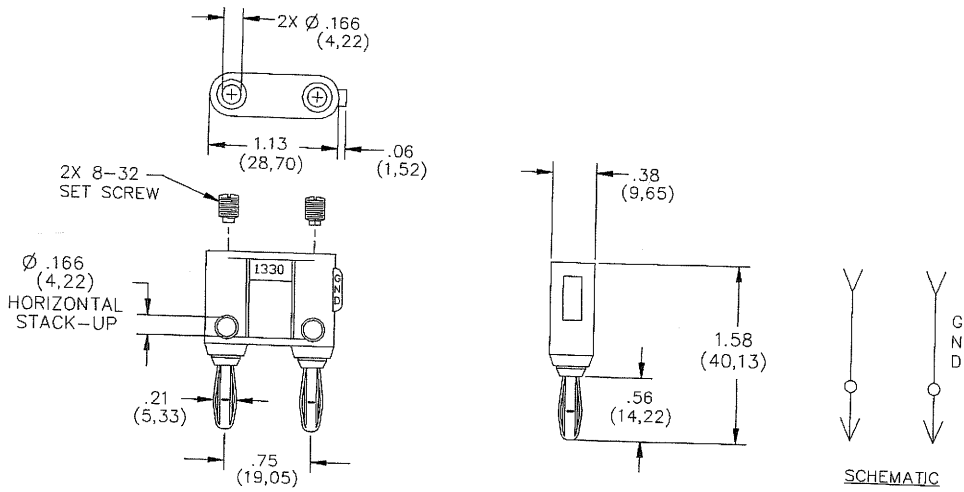


**MODEL: BU-P1330**  
**Double Banana Plug (Solderless)**



**MATERIALS:**  
 Body – Nylon  
 Contacts – Nickel Plated Beryllium Copper

Standard Colors: -0 Black; -2 Red

**RATING:**  
 15 Amps  
 Hands free testing to 5000 VRMS Max.  
 Temperature: -50°C to 105°C