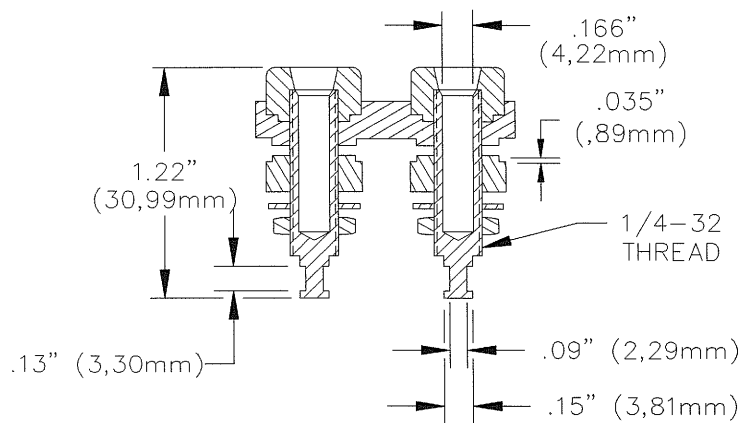
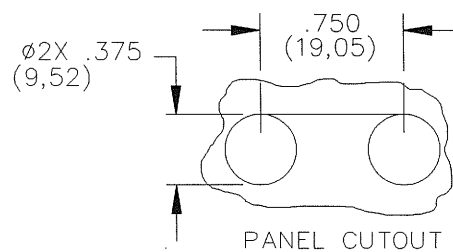
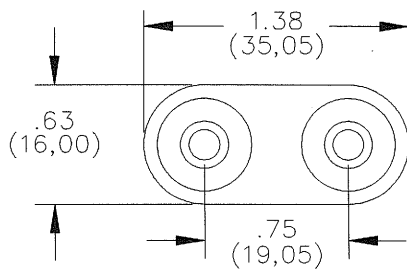


MUELLER®

MODEL: BU-P2269

Double Banana Jack (Panel mount)



MATERIALS:

Contacts – Nickel Plated Brass

Insulators – Nylon

Solder connection

RATING:

15 Amps

Hands free testing to 1000 VDC max.

Temperature: -50°C to 120°C