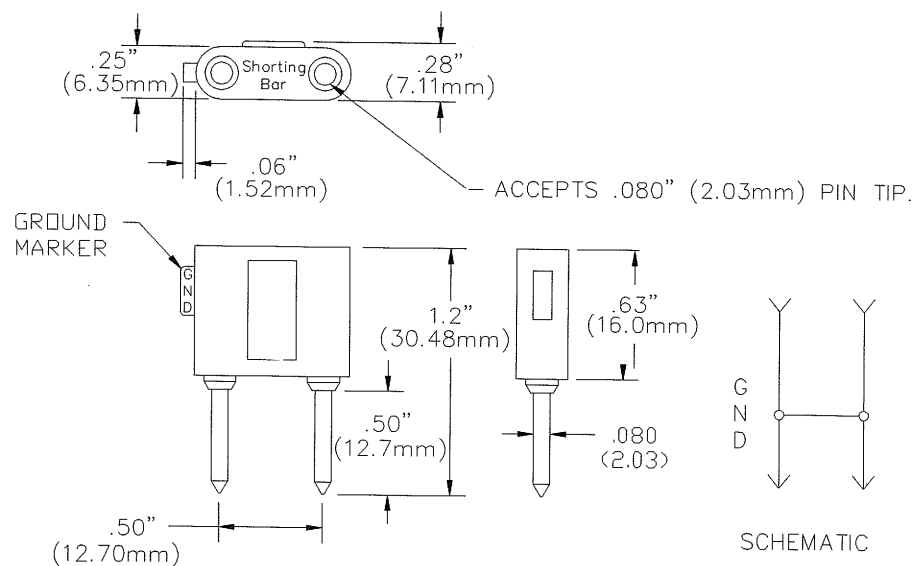


# MUELLER®

**MODEL: BU-P3452**

**Shorting Bar Pin Tip Plug**



## MATERIALS:

Body – ABS (Black)

Pins – Gold Plated Brass

Jacks – Gold Plated Beryllium Copper

Mates with Mueller P4543 or any standard .080" Pin Jack.

## RATING:

5 Amps

Hands free testing to 3000 VMRS max.

Temperature: -50°C to 50°C