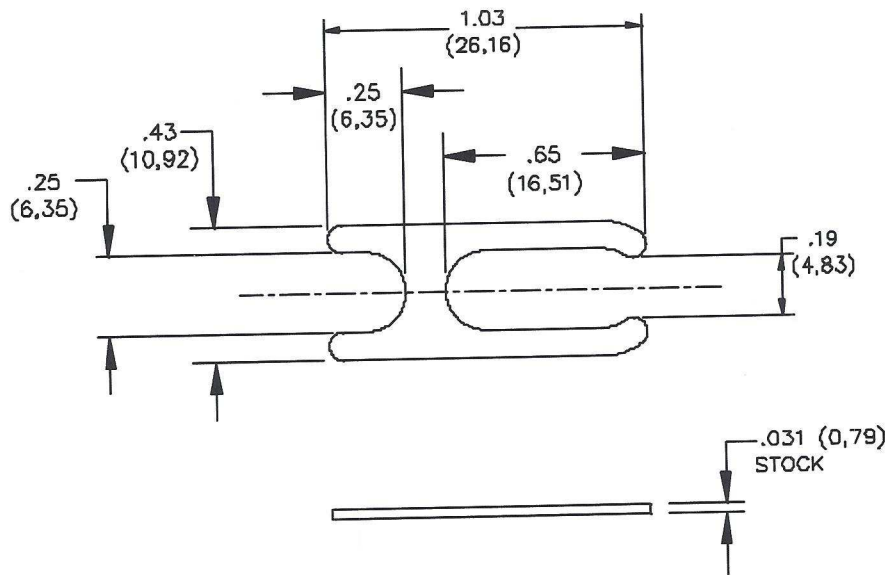




BU-P4115
(SHORTING BAR)



MATERIAL:

Nickel Plated Brass

Parts are packaged (10) per Bag

RoHS Compliant