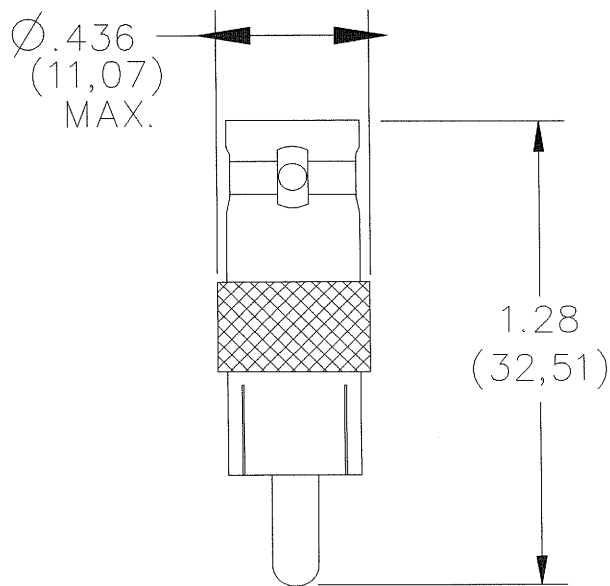


MUELLER®

MODEL: BU-P5319

Adapter -- BNC Female to Phono Plug



MATERIALS:

Body – Nickel Plated Brass

Contacts – Gold plated Beryllium Copper

Phono Contact – Gold plated Brass

Insulator – PTFE

RATING:

Voltage: Hands free testing to 500VRMS Max.

Temperature: -50°C to 105°C

Frequency: 0 to 12.4 GHz

Impedance: 50 Ohms