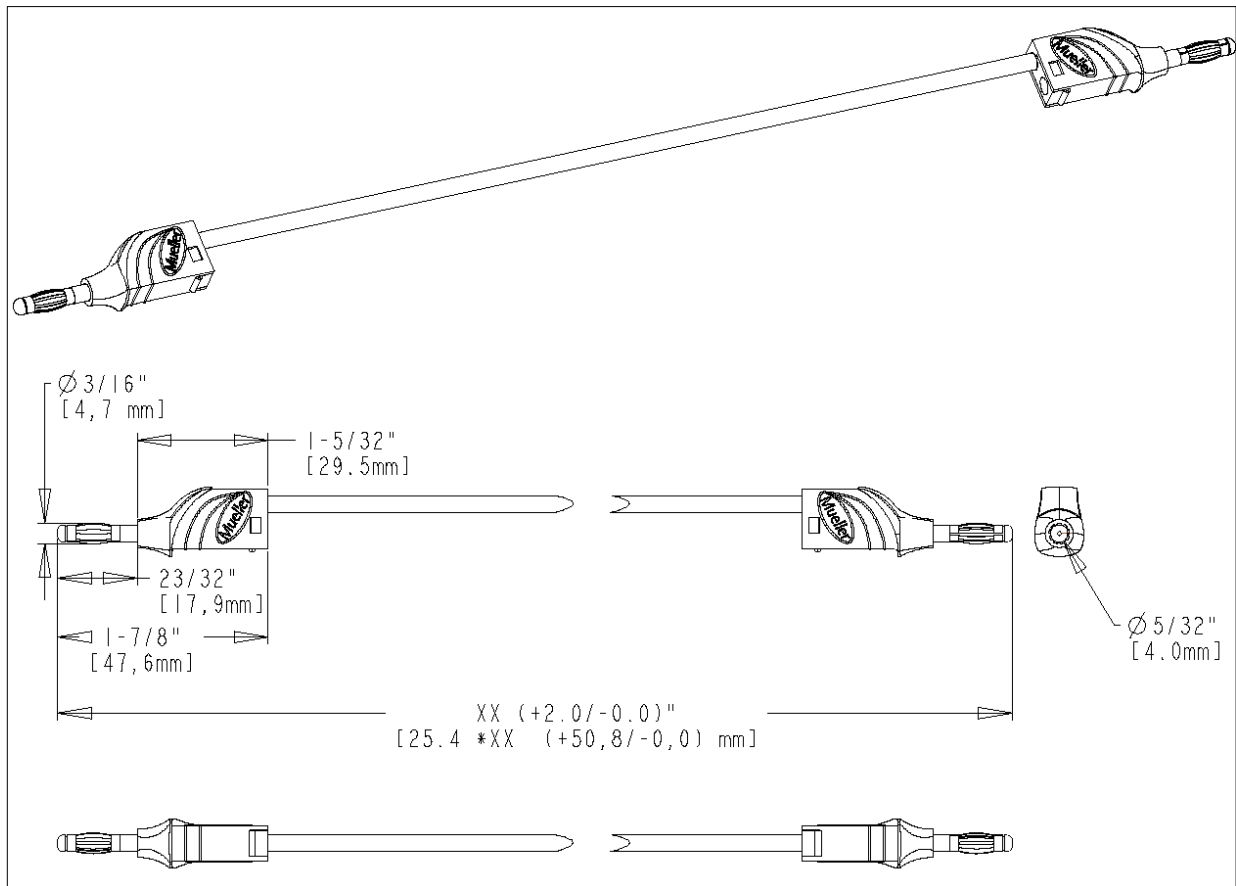




**Part Number:** BU-2929-M-XX-X  
**Description:** Testlead, 4mm Stackable Bananas on Silicone Wire



- Provides hands free testing up to 3kV and 20 Amps
- Compatible with any 4mm banana jacks and can be stacked with any non-shrouded or retractable banana plugs
- Order as BU-2929-M-XX-\*, where "XX" is the length and "\*" is the color
  - "XX" - Standard lengths are 10", 20", and 39"
  - "\*" - Standard colors are 0=Black, and 2=Red
- Material:
  - Wire: 18 AWG (413/44), UL 3577, 105°C High Flex Silicone Jacket
  - Housing: High Temperature Nylon
  - Banana Plugs: Nickel plated Brass
- Packaged in Bulk
- RoHS Compliant

Mueller Electric Company  
1625 E. 31<sup>st</sup> Street  
Cleveland, Ohio 44114

ISO 9001:2000  
Over 95 Years Of Innovation  
[www.muellerelectric.com](http://www.muellerelectric.com)

TEL. 800-955-2629  
TEL. 216-771-5225  
FAX. 216-771-3068