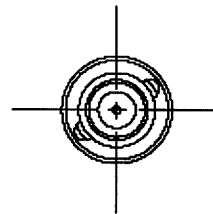
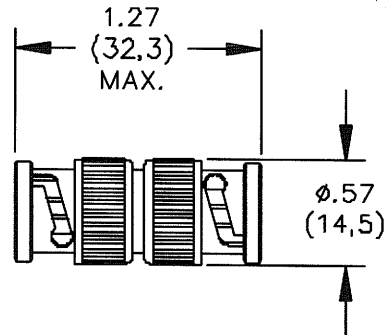


# MUELLER®

**MODEL: BU-P3533**

**BNC connector (Male to Male)**



## MATERIALS:

Body – Nickel Plated Brass

Contacts – Gold plated Beryllium Copper

Insulator – PTFE

## RATING:

Temperature: -50°C to 170°C

Impedance: 50 Ohms