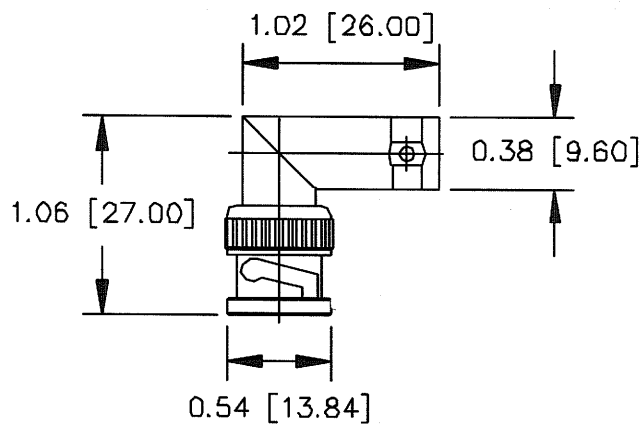


# MUELLER®

**MODEL: BU-P3534**

**BNC connector Right Angle (Female to Male)**



## MATERIALS:

Body – Nickel Plated Brass

Contacts – Gold plated Beryllium Copper

Insulator – PTFE

## RATING:

Voltage: Shield/Earth: 30 VAC Max.

Temperature: -50°C to 170°C

Impedance: 50 Ohms