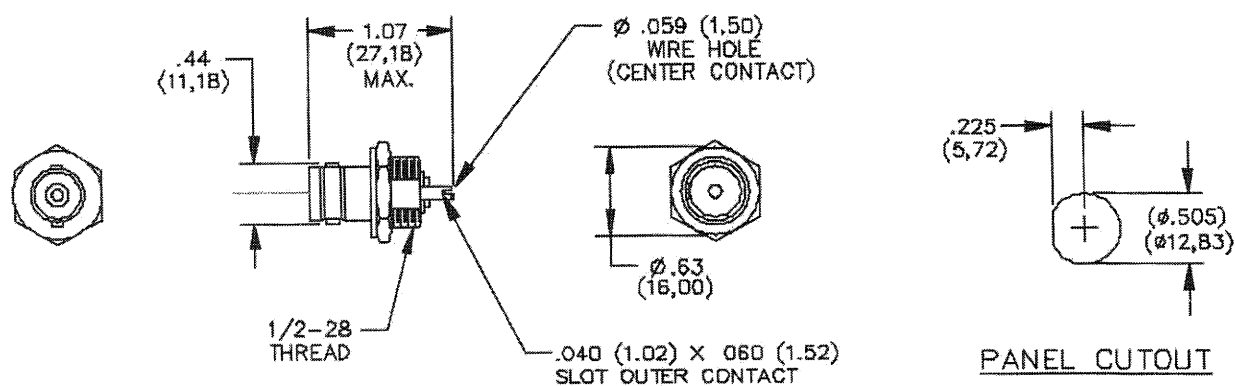


MUELLER®

MODEL: BU-P3778

Bulkhead Female BNC Receptacle



MATERIALS:

Body – Brass, Tarnish resistant plating,
Center Contact – Gold plated Beryllium copper
Dielectric – PTFE

RATING:

50 Ohms Impedance
30 VAC/60VDC Max shield/earth
500 VRMS Inner conductor/shield
Temperature: -70°C to 170°C

MOUNTING:

BNC ground is isolated from Chassis
Maximum wall thickness: $.175''$ (4.45)