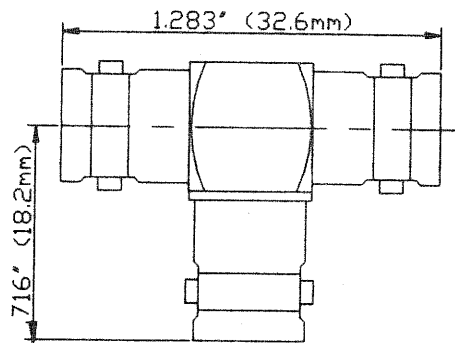


MUELLER®

MODEL: BU-P6738

BNC T-connector (Female, Female, Female)



MATERIALS:

Body – Nickel Plated Brass

Contacts – Gold plated Beryllium Copper

Insulator – PTFE

RATING:

Temperature: -50°C to 150°C

Impedance: 75 Ohm